

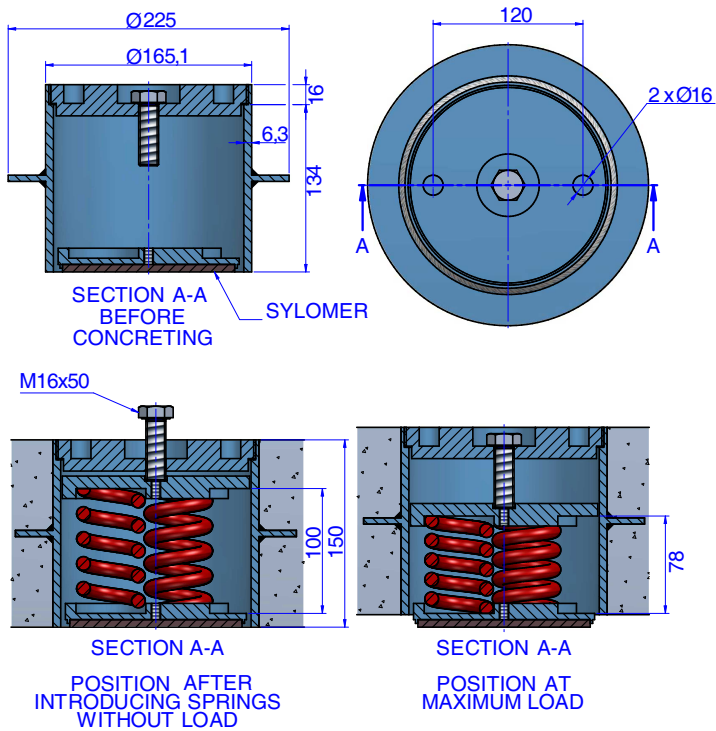
FZH SPRING + SYLOMER®



The goal of the system is to avoid the structure borne noise installing elastical mounts that are embedded in the concrete floating floor .The process of elevation is done once the concrete is dry.



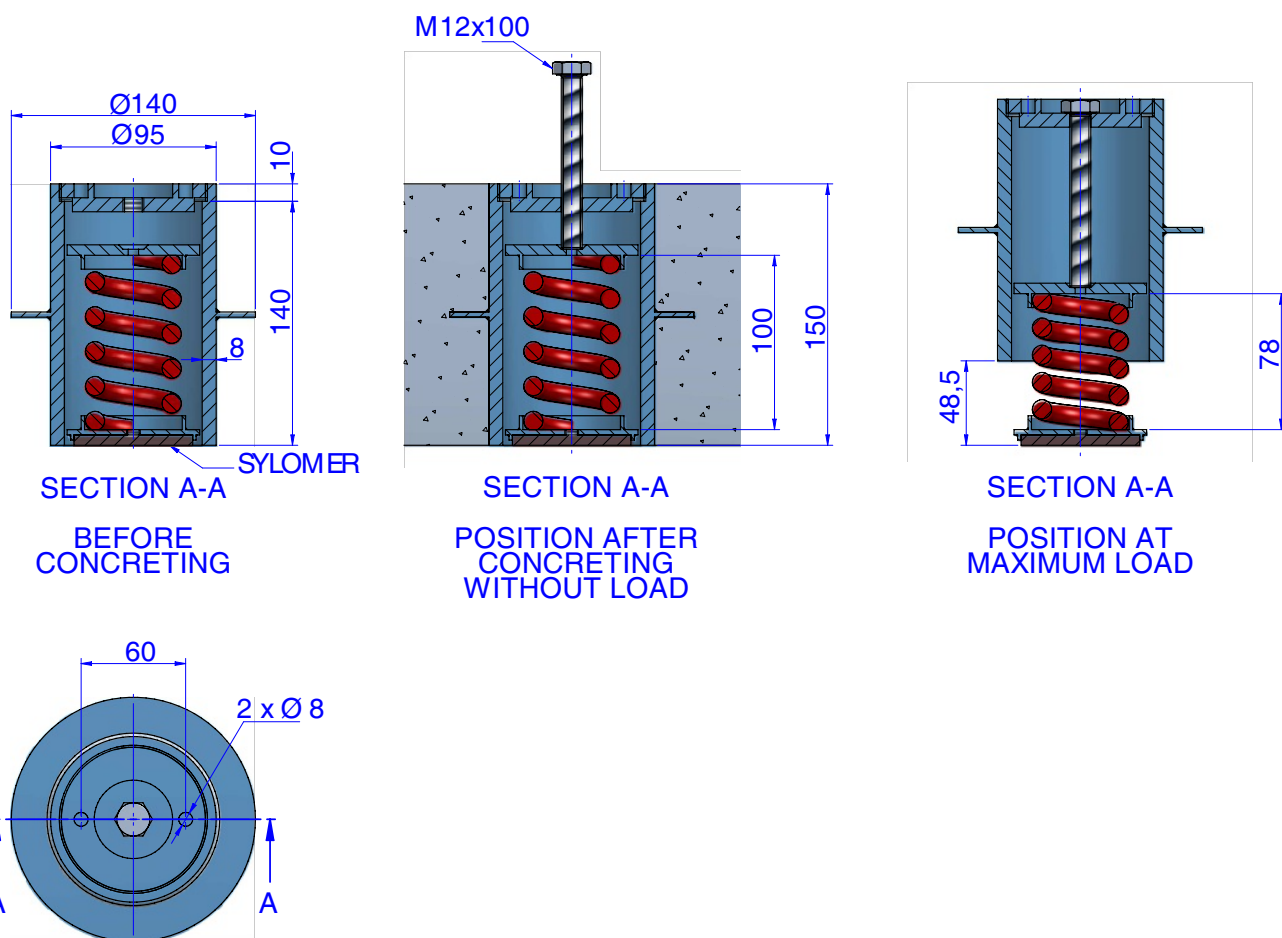
DRAWINGS



DIMENSIONS

Type	Spring color	Max. Load (kg)	Spring	Code
FZH SPRINGS + SYLOMER	PURPLE	915	1 AMC 915	176004
	GREEN	1215	1 AMC 1215	176005
	GREY	1620	1 AMC 1620	176006
	WHITE	1836	1 AMC 1836	176007
	RED	2409	1 AMC 2409	176008

DRAWINGS

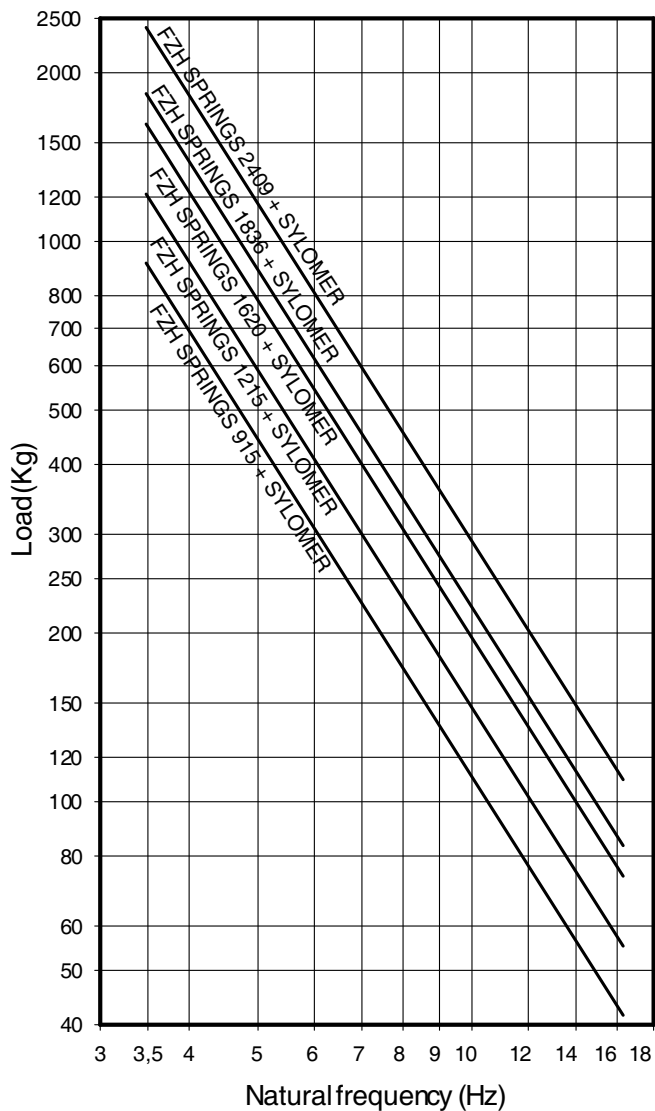


DIMENSIONS

Type	Spring color	Max. Load (kg)	Spring	Code
FZHM + sylomer®	PURPLE	305	1 AMC 305	176015
	GREEN	405	1 AMC 405	176016
	GREY	540	1 AMC 540	176017
	WHITE	612	1 AMC 612	176018
	RED	803	1 AMC 803	176019

Elastical properties

**NATURAL FREQUENCY CURVES
FZHSPRINGS+ SYLOMER®**



**LOAD DEFLECTION CURVES
FZH SPRINGS + SYLOMER®**

