

Anti vibration
mounts

EP + SYLOMER®

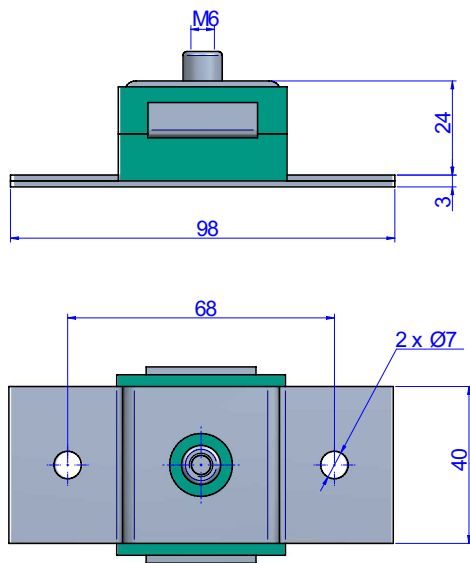
AMC
MECANOCAUCHO
NOISE AND
VIBRATION
SOLUTIONS



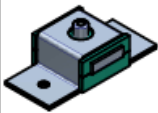
Acoustic wall ties range designed for the floating suspension of soundproofed walls. Sylomer® avoids the transmission of vibrations while providing optimal acoustic results. They have a "FAIL SAFE" rugged metal structure, which is overload-proof. Recommended for applications where fire or impact resistance is necessary. These mounts are also suitable for the isolation of vertical pipes, or any type of lightweight ducts that need to be isolated.



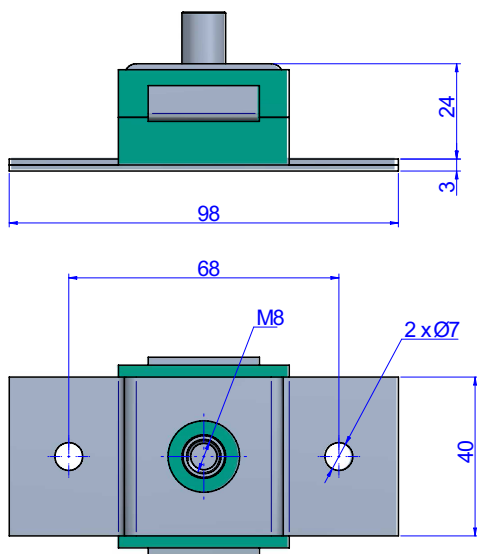
DRAWINGS



DIMENSIONS

	Type	SUMMARY	LOAD kg MAX	Weight (kg)	Code
	EP + Sylomer Type B M6	It is secured to the wall by means of two holes. It has a female M6 metal insert.	30	0,167	23701

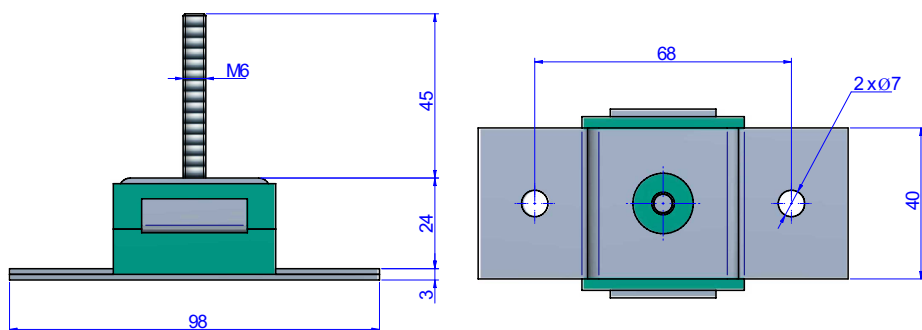
DRAWINGS



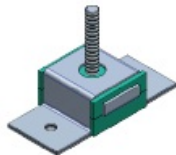
DIMENSIONS

	Type	SUMMARY	LOAD kg MAX	Weight (kg)	Code
	EP + Sylomer Type B M8	It is secured to the wall by means of two holes. It has a female M8 metal insert.	30	0,167	23720

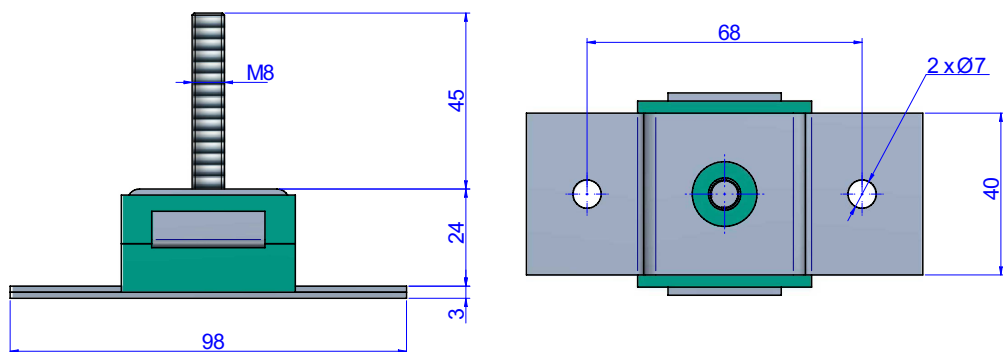
DRAWINGS



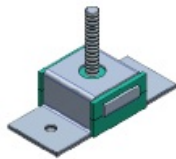
DIMENSIONS

	Type	SUMMARY	LOAD kg MAX	Weight (kg)	Code
	EP + Sylomer Type A M6	It is secured to the wall by means of two holes. It has a female M6 metal insert.	30	0,163	23703

DRAWINGS

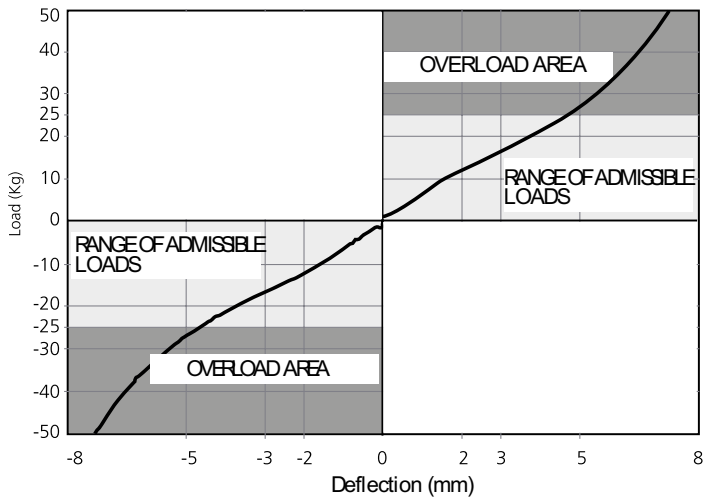


DIMENSIONS

	Type	SUMMARY	LOAD kg MAX	Weight (kg)	Code
	EP + Sylomer Type A M8	It is secured to the wall by means of two holes. It has a female M8 metal insert.	30	0,163	23702

Elastical properties

LOAD DEFLECTION GRAPH
EP Akustik+Sylomer®



NATURAL FREQUENCY GRAPH
EP Akustik+Sylomer®

