

AKUSTIK SUPER T-47 FIXATION



These SUPER FIXATION accessories allow flexibility to the acoustic hangers that have to be fixed to joists either laterally or vertically.

The Super fixation accessory allows a secure fixation thanks to the metallic lip that encapsulates the profile when pressing it down to the profile. This allows a high traction resistance. When installing lateral bolts as shown on the image below the traction load capacity is doubled.

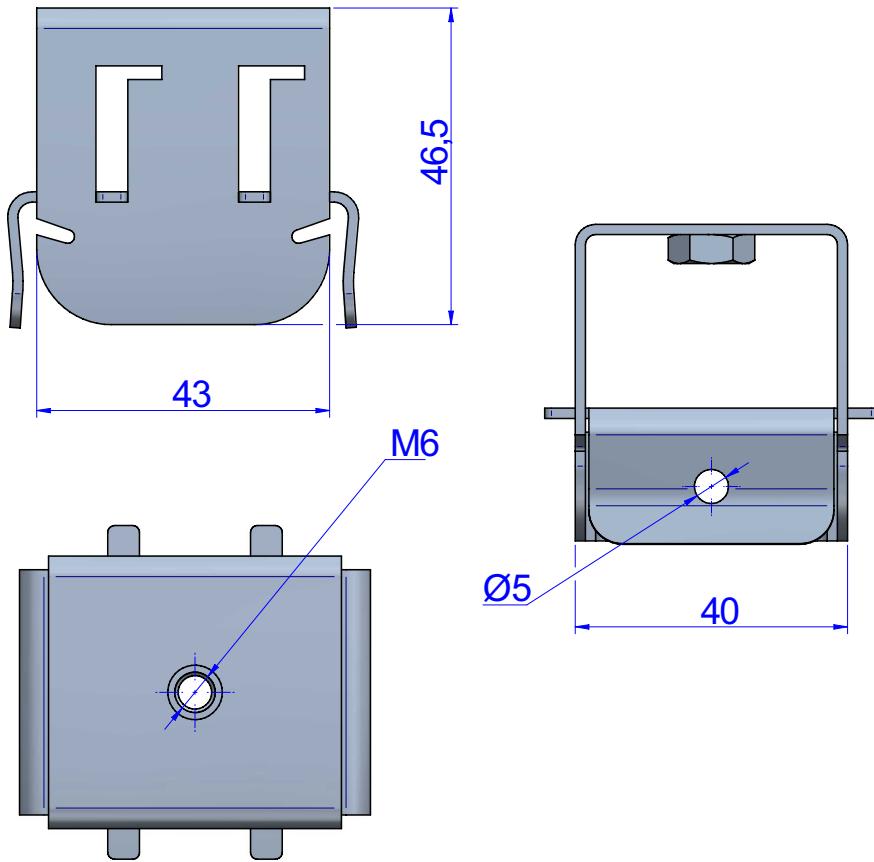
TECHNICAL CHARACTERISTICS

The resistance to traction forces have been measured by the independent technological institute TECNALIA, report # 28125-2 with resistance traction forces to 6kN.

The zinc plated anticorrosive treatment allows resistance to arduous corrosive environments.



DRAWINGS



DIMENSIONS

Type	Code
t-47 Fixation	606748