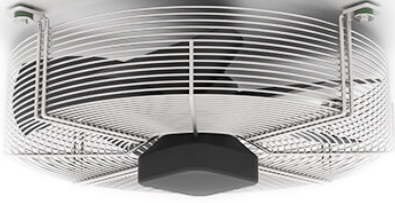


# AKUSTIK VENTILATOR



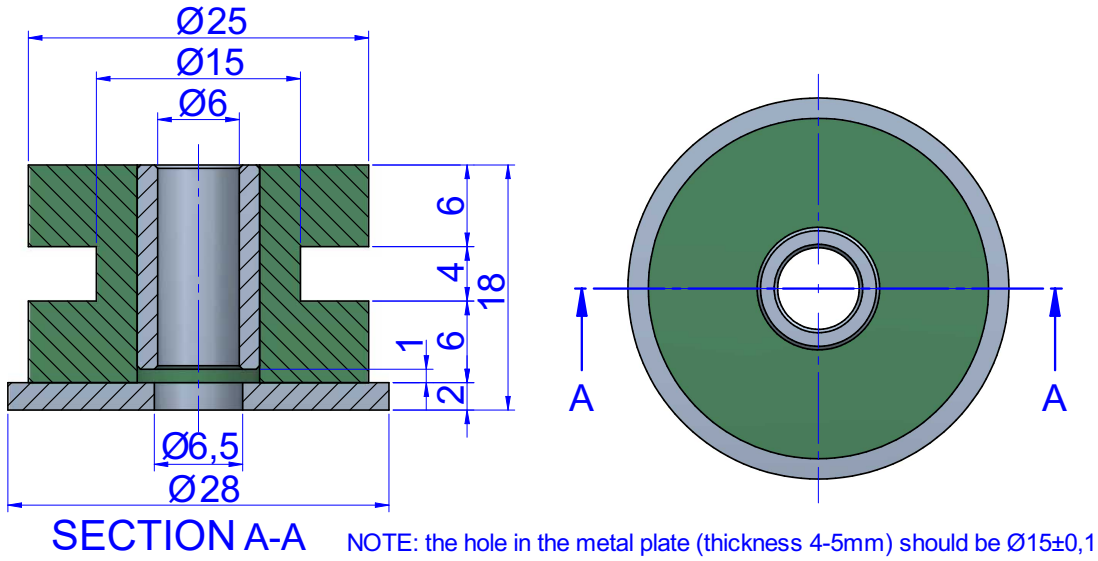
This product is specially designed to acoustically isolate fans and light weight equipment hanging from the ceiling. These equipment usually cause mid and high frequency vibrations that can be transmitted as structural borne noise through the structure of the building.

They are made of Sylomer®, a microcelular polyurethane material that provides superior isolation than rubber and/or cork materials.

Its geometry allows an easy and flexible assembly, with very little space requirements. It is suitable for plate thickness of 4 mm and 5 mm. The parts can be produced in different shapes, sizes and Sylomer® densities in order to fit the specific requirements of each application.



DRAWINGS

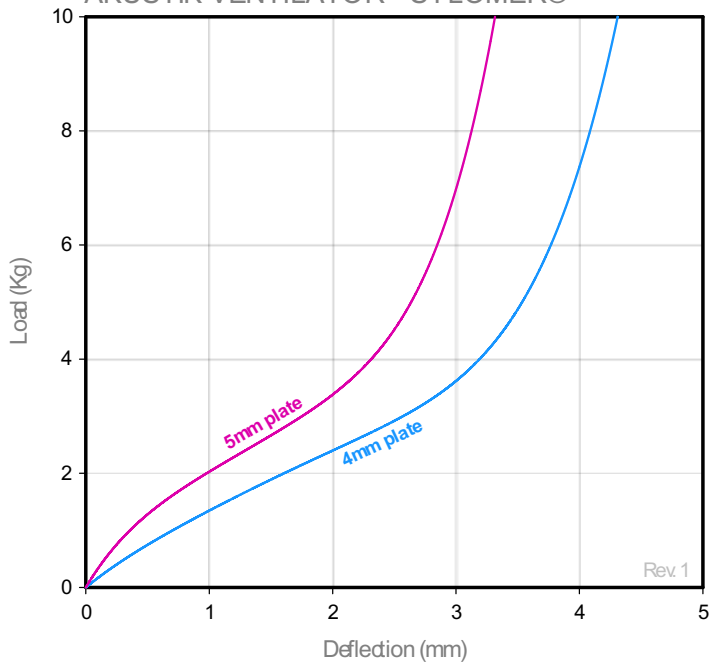


DIMENSIONS

Type	LOAD kg MAX	Code
Akustik Ventilator + Sylomer®	2,5	712184

## Elastical properties

LOAD DEFLECTION GRAPH  
AKUSTIK VENTILATOR+ SYLOMER®



NATURAL FREQUENCY  
AKUSTIK VENTILATOR+ SYLOMER®

