

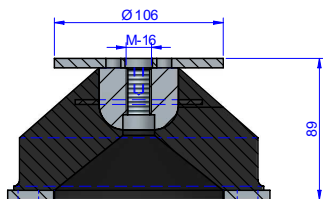
SUPPORTI ANTIVIBRANTI SN



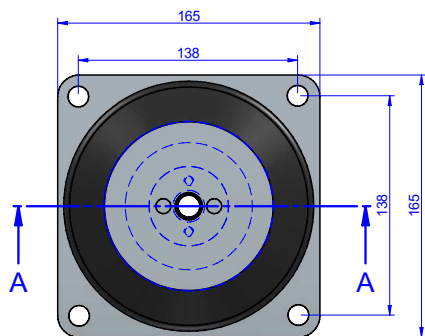
It is a support used in multiple applications, but primarily in marine engines whose excitation frequency is less than or close to 1000 rev/min.



DISEGNI



A-A



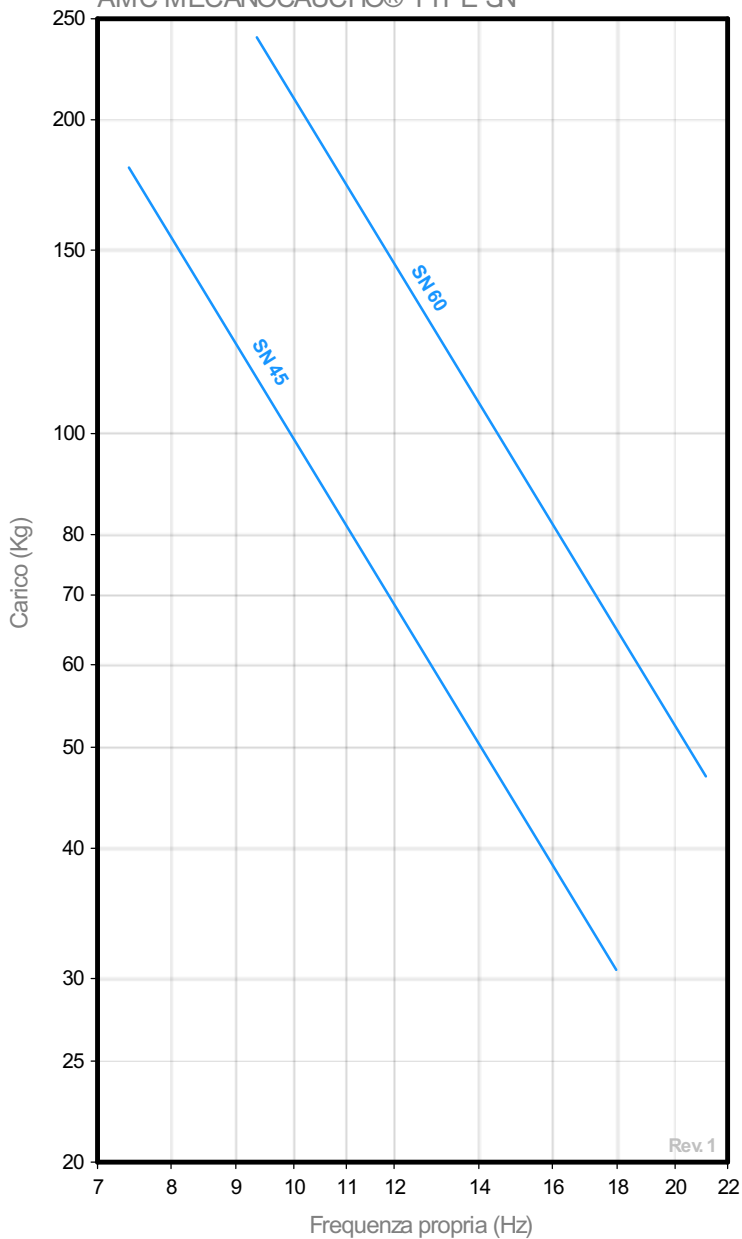
DIMENSIONI

Tipo	Durezza	FLESSIONE mm	Peso (kg)	Carico max (kg)	Codice
SN	45 Sh	9	2,616	180	139001
	60 Sh	8	2,616	240	139002

Proprietà elastiche

FREQUENZA PROPRIA

AMC MECANOCAUCHO® TYPE SN



CURVE CARICO FLESSIONE

AMC MECANOCAUCHO® TYPE SN

