

SHIM



The Mecanocaucho® height adjusting shims are used for the levelling the marine engine. They are composed of an anti corrosive steel plate in order to resist to the marine environments.

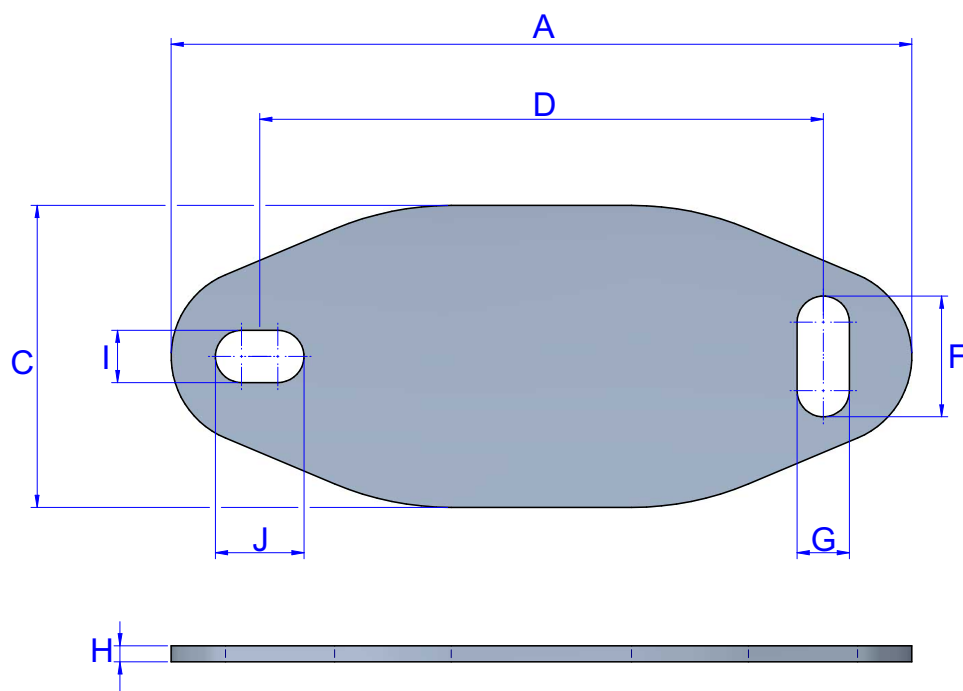
CARATTERISTICHE TECNICHE

These shims avoid using the traditional height adjusting studs. The traditional levelling systems are subjected to cyclic bending moments and are exposed to eventual ruptures.

As a result of it most of the marine certification companies do not recommend to use height adjusting studs. Reference is made to DET NORSKE VERITAS (DNV) rules for ships / high speed craft –issue January 2016, Pt.4 Ch3 Sec.1 F202. This requirement is referred to rigid mounting, but is considered applicable to this topic.



DISEGNI



DIMENSIONI

Tipo	A (mm)	C (mm)	D (mm)	F (mm)	G (mm)	H (mm)	I (mm)	J (mm)	Peso (kg)	Codice
SMALL	120	60	100	14	11	3	14	11	-	136301
MEDIUM	183	75	140	30	13	4	13	22	-	136302
LARGE	228	112	182	34	18	5	18	26	-	136303