

BRB ANTI VIBRATION MOUNTS



AMC Mecanocaucho® BRB Captive anti vibration mounts are anti vibration elements which work the rubber in shear and compression. Their high profile rubber sections produce larger deflections, low natural frequencies. This range of mounts is suitable for applications where vibration isolation is a priority.

AMC Mecanocaucho® BRB Captive mount is especially recommended for applications where vibration isolation is necessary, such as isolation of rotating or mobile machines that are continuously subjected to shocks, dripping oil or diesel or are exposed to the elements.

TECHNICAL CHARACTERISTICS

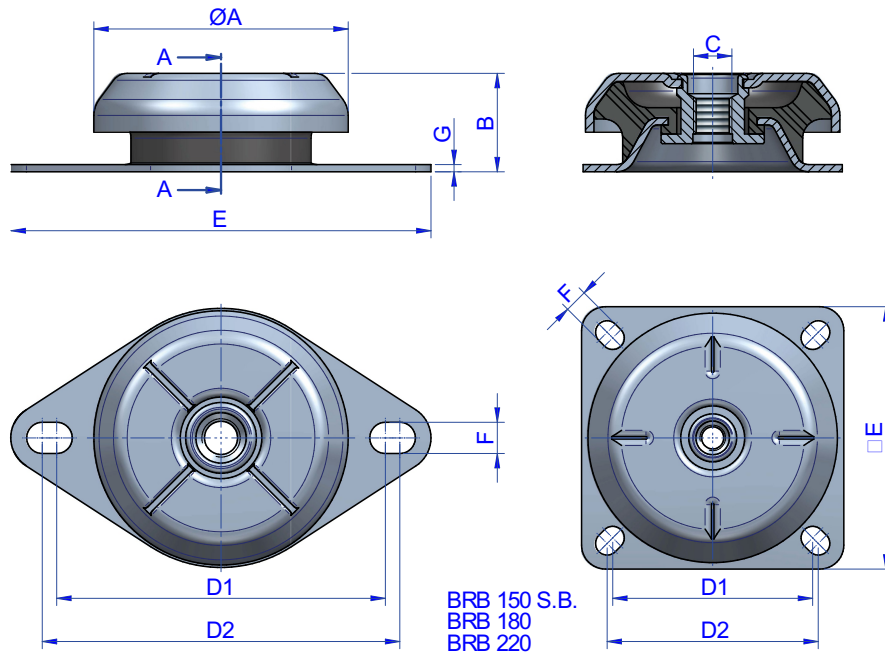
- The top metal hood protects the rubber from the Ozone, UV rays, diesel or oils which damage the rubber.
- The metal parts have a suitable anticorrosive treatment for outdoor applications. RoHS compliant.
- They have an interlocking metal component that provides a fail-safe protection for mobile applications. This device limits vertical movement when the mounting is submitted to shock inputs.
- The mounts are clearly identified, as the baseplates are engraved with the type and hardness, which makes it possible to easily recognise the part even after several years of use.
- The top cap has a cross shaped indentation which enhances rigidity on mobile applications and also permits oils or liquids to flow off the mounting .

APPLICATIONS

This anti vibration mount is suitable for the isolation of mobile rotating machines which are exposed to axial and radial shocks, dripping oil, diesel or exposure to the weather. It is particularly interesting for applications where a high level of vibration isolation is required.



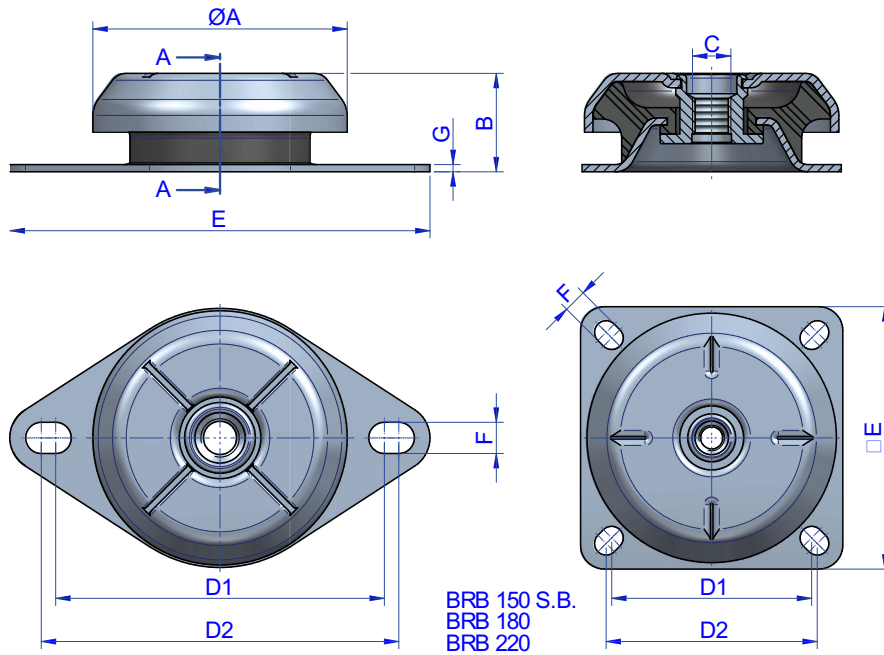
DRAWINGS



DIMENSIONS

Type	Tightening torque Max (Nm)	A (mm)	B (mm)	C (mm)	E (mm)	F (mm)	G (mm)	Weight (gr)	D1 Min. (mm)	D2 Max. (mm)	Shore	Max. Load (kg)	Code
BRB 45	16	50	32	M-8	85	6,5	2	131	61	70	40 Sh	12	135137
											50 Sh	18	135138
											60 Sh	25	135139
BRB 50	16	50	25	M-8	85	6,5	2	117	61	70	40 Sh	20	135451
											50 Sh	40	135453
											60 Sh	60	135455
BRB 60	32	64	35	M-10	110	9	2,5	225	76,5	90,5	40 Sh	30	135101
											50 Sh	45	135405
											60 Sh	65	135103
BRB 65 M10	32	64	35	M-10	110	9	2,5	243	76,5	90,5	40 Sh	50	135421
											50 Sh	75	135422
											60 Sh	120	135423
											70 Sh	140	135424

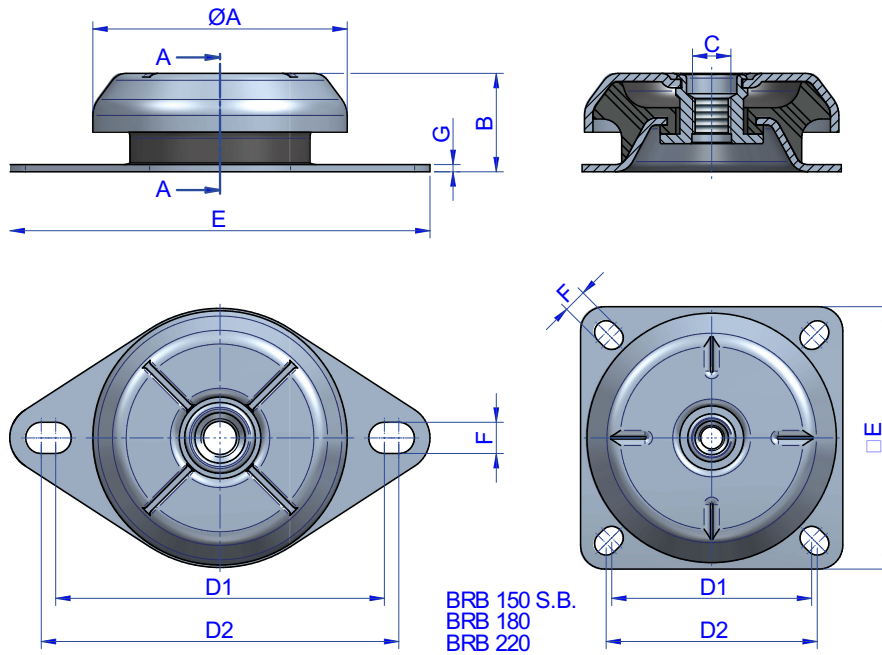
DRAWINGS



DIMENSIONS

Type	Tightening torque Max (Nm)	A (mm)	B (mm)	C (mm)	E (mm)	F (mm)	G (mm)	Weight (gr)	D1 Min. (mm)	D2 Max. (mm)	Shore	Max. Load (kg)	Code
BRB 65 M12	55	64	35	M-12	110	9	2,5	243	76,5	90,5	40 Sh	50	135431
											50 Sh	75	135432
											60 Sh	120	135433
											70 Sh	140	135434
BRB 70	55	64	35	M-12	120	11	3	253	100	100	40 Sh	50	135251
											50 Sh	75	135252
											60 Sh	120	135253
											70 Sh	140	135254
BRB 80 M10	32	83	35	M-10	135	11	3	398	108	112	40 Sh	80	135231
											50 Sh	130	135232
											60 Sh	175	135233
											70 Sh	235	135234
BRB 80 M12	55	83	35	M-12	135	11	3	398	108	112	40 Sh	80	135275
											50 Sh	130	135276
											60 Sh	175	135277
											70 Sh	235	135278

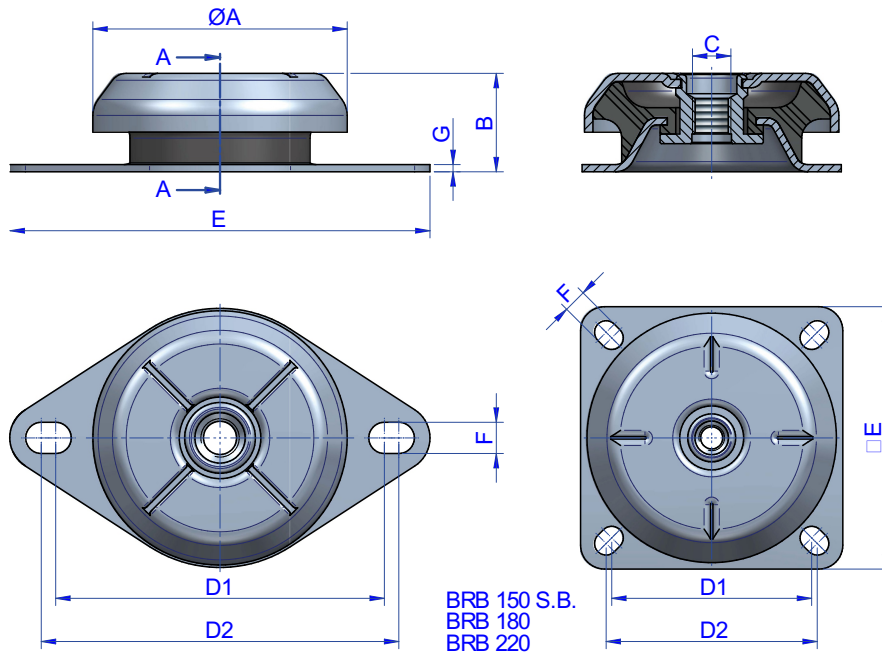
DRAWINGS



DIMENSIONS

Type	Tightening torque Max (Nm)	A (mm)	B (mm)	C (mm)	E (mm)	F (mm)	G (mm)	Weight (gf)	D1 Min. (mm)	D2 Max. (mm)	Shore	Max. Load (kg)	Code
BRB 95 M10	32	92	39	M-10	150	10	3	657	122	126,6	40 Sh	150	135771
											50 Sh	260	135772
											60 Sh	330	135773
											70 Sh	390	135774
BRB 95 M12	55	92	39	M-12	150	10	3	657	122	126,6	40 Sh	150	135761
											50 Sh	260	135762
											60 Sh	330	135763
											70 Sh	390	135764
BRB 110 M12	55	106	41	M-12	175	13	3	857	137	149	40 Sh	200	135241
											50 Sh	305	135242
											60 Sh	420	135243
											70 Sh	450	135244
BRB 110 M16	125	106	41	M-16	175	13	3	857	137	149	40 Sh	200	135331
											50 Sh	305	135332
											60 Sh	420	135333
											70 Sh	450	135334

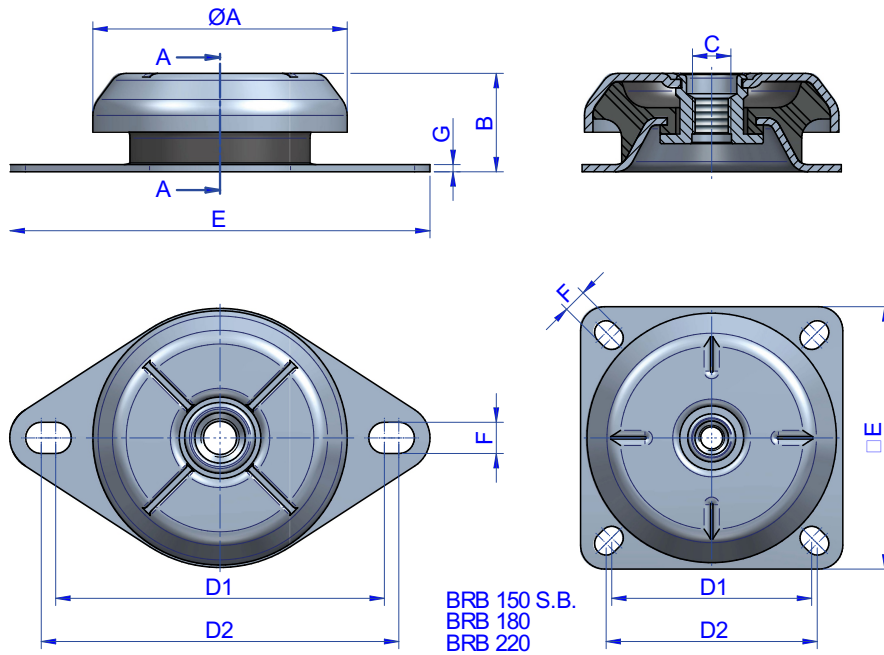
DRAWINGS



DIMENSIONS

Type	Tightening torque Max (Nm)	A (mm)	B (mm)	C (mm)	E (mm)	F (mm)	G (mm)	Weight (gr)	D1 Min. (mm)	D2 Max. (mm)	Shore	Max. Load (kg)	Code
BRB 125	125	123	46,5	M-16	190	14	4	1170	154	162	40 Sh	350	135618
											50 Sh	500	135620
											60 Sh	700	135622
											70 Sh	900	135624
BRB 150 S.B.	125	156	53,5	M-16	164	14,5	4	2030	125	132	40 Sh	450	135205
											50 Sh	570	135206
											60 Sh	800	135207
											70 Sh	1000	135208
BRB 150	125	156	53,5	M-16	218	14,5	4	1840	176	188	40 Sh	450	135161
											50 Sh	570	135162
											60 Sh	800	135163
											70 Sh	1000	135164
BRB 180	190	186	84	M-20	181	14	5	3800	146	150	40 Sh	875	135391
											50 Sh	1200	135392
											60 Sh	1700	135393
											70 Sh	2400	135394

DRAWINGS

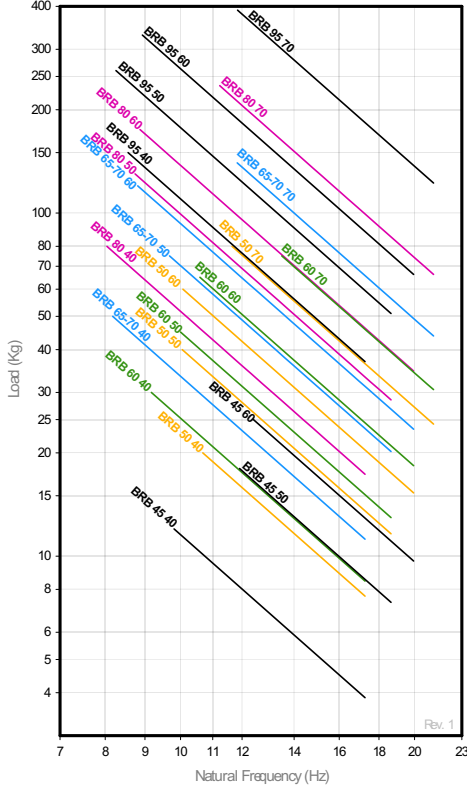


DIMENSIONS

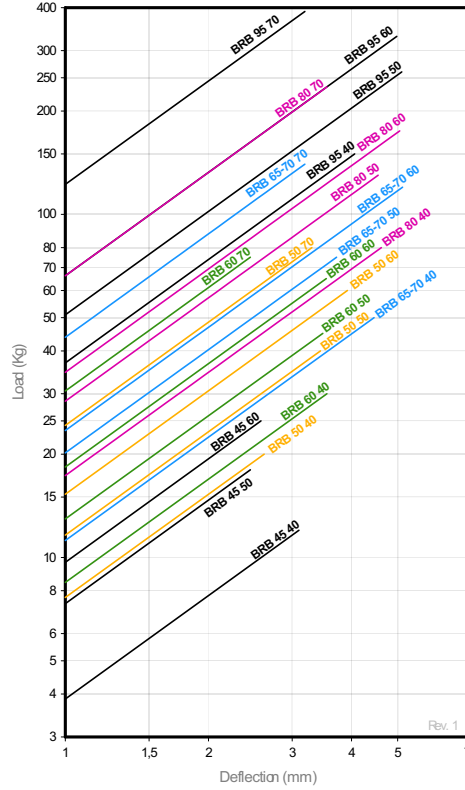
Type	Tightening torque Max (Nm)	A (mm)	B (mm)	C (mm)	E (mm)	F (mm)	G (mm)	Weight (gr)	D1 Min. (mm)	D2 Max. (mm)	Shore	Max. Load (kg)	Code
BRB 220	285	230	105	M-24	220	19	6	7453	180	180	40 Sh	1600	135201
											50 Sh	2400	135200
											60 Sh	3400	135202
											70 Sh	4200	135203

Elastical properties

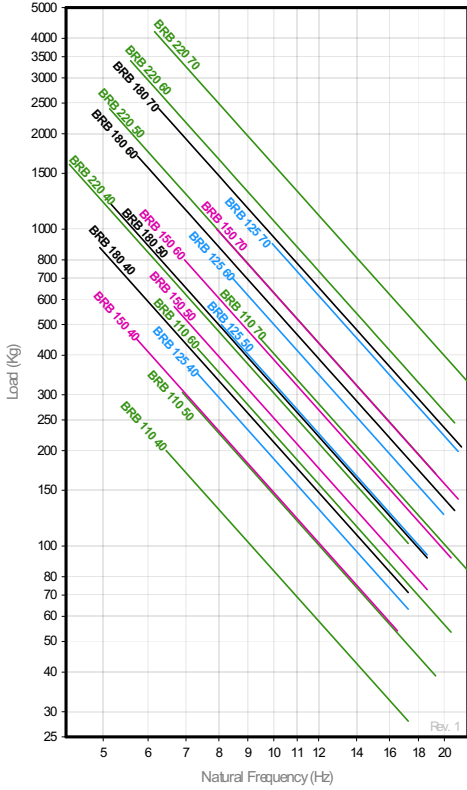
NATURAL FREQUENCY
AMC MECANOCAUCHO® BRB 45-95



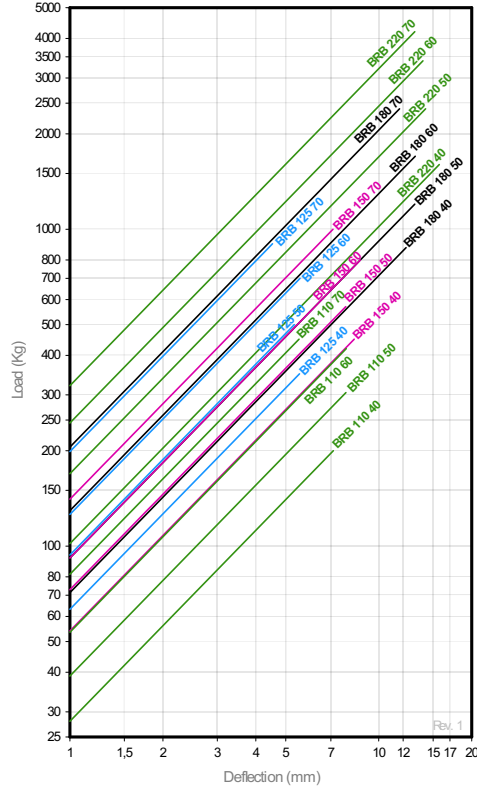
LOAD DEFLECTION GRAPH
AMC MECANOCAUCHO® BRB 45-95



NATURAL FREQUENCY
AMC MECANOCAUCHO® BRB 110-220



LOAD DEFLECTION GRAPH
AMC MECANOCAUCHO® BRB 110-220



OPERATION AND ASSEMBLY



RECOMMENDATIONS FOR HOOD MOUNTS

The hood mounts should be installed between two parallel and perfectly flat surfaces. Mounts operating tilted or twisted do not work properly. This may be due to incorrect alignment, tolerances in the building of the chassis or over-tightened torque during the installation of the Antivibration mounts.

This applies to our marine-type, BSB, BRB or Mecanodamp mounts.

