

CONES WITH FIXATION FLANGE



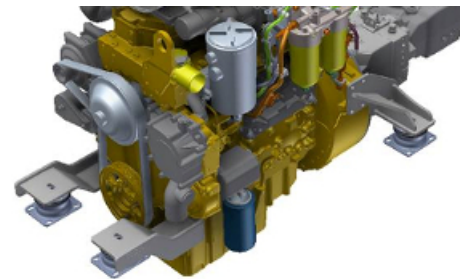
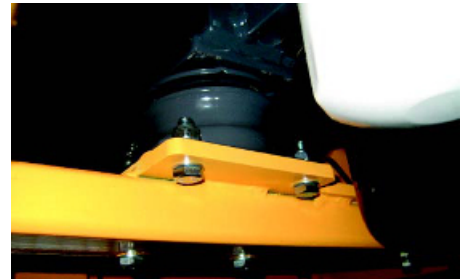
The Cones with fixation flange from AMC-Mecanocaucho® work the elastomer in shear and compression. They are comprised of a high strength external metal casing and a conical mount that is placed inside the casing .

TECHNICAL CHARACTERISTICS

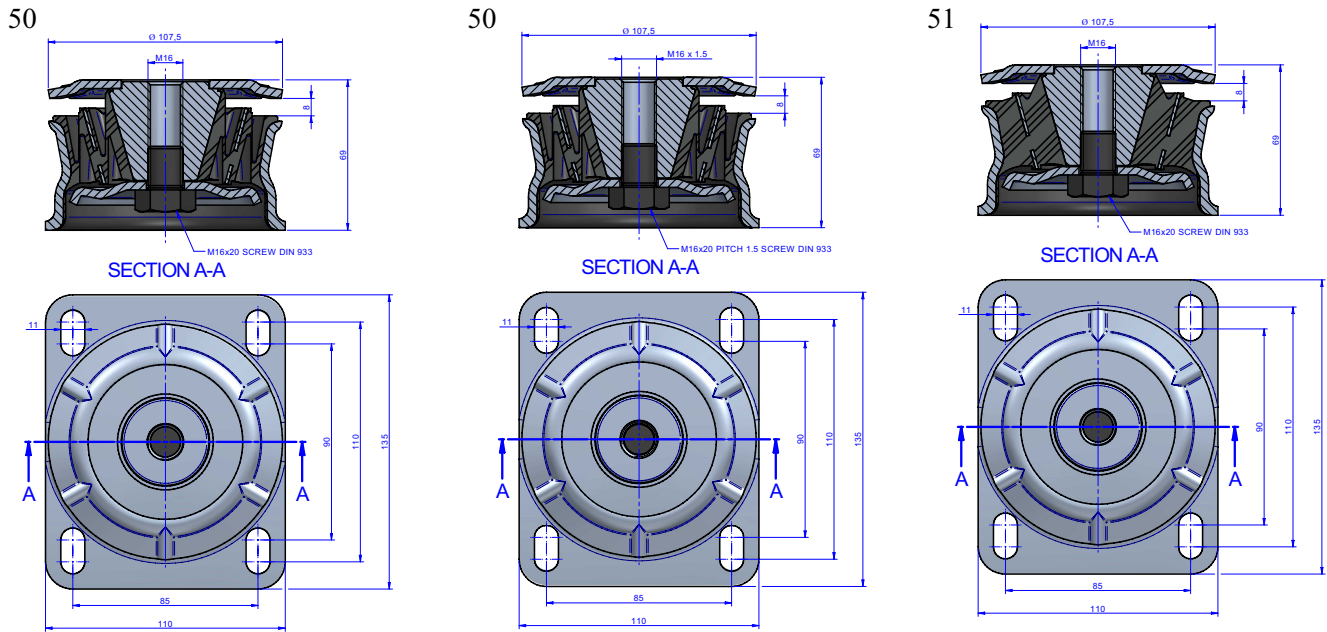
The cones with fixation flange from AMC-Mecanocaucho® were designed to offer excellent axial elasticity under heavy loads. The elastomer used is a low dynamic stiffness compound , which makes it possible to obtain low natural frequencies thus maintaining excellent stability of the suspended unit. The mounts radial stiffness is greater than the axial rate . This is particularly interesting for applications where horizontal stability needs to be maintained. The AMC-Mecanocaucho® Cone 100 mount is supplied with a height adjuster. This makes it possible to easily align transmission shafts without having to use additional accessories to do so. All models also incorporate an interlocking metal part that acts as a FAILSAFE system. Thanks to this, and to the ruggedness of the metal parts, this mount is suitable for applications where the suspended unit is submitted to great shocks.

APPLICATIONS

AMC-Mecanocaucho® cones with fixation flanges have been designed specially for use in engines and auxiliary machinery for static and mobile applications in all kinds of vehicles.



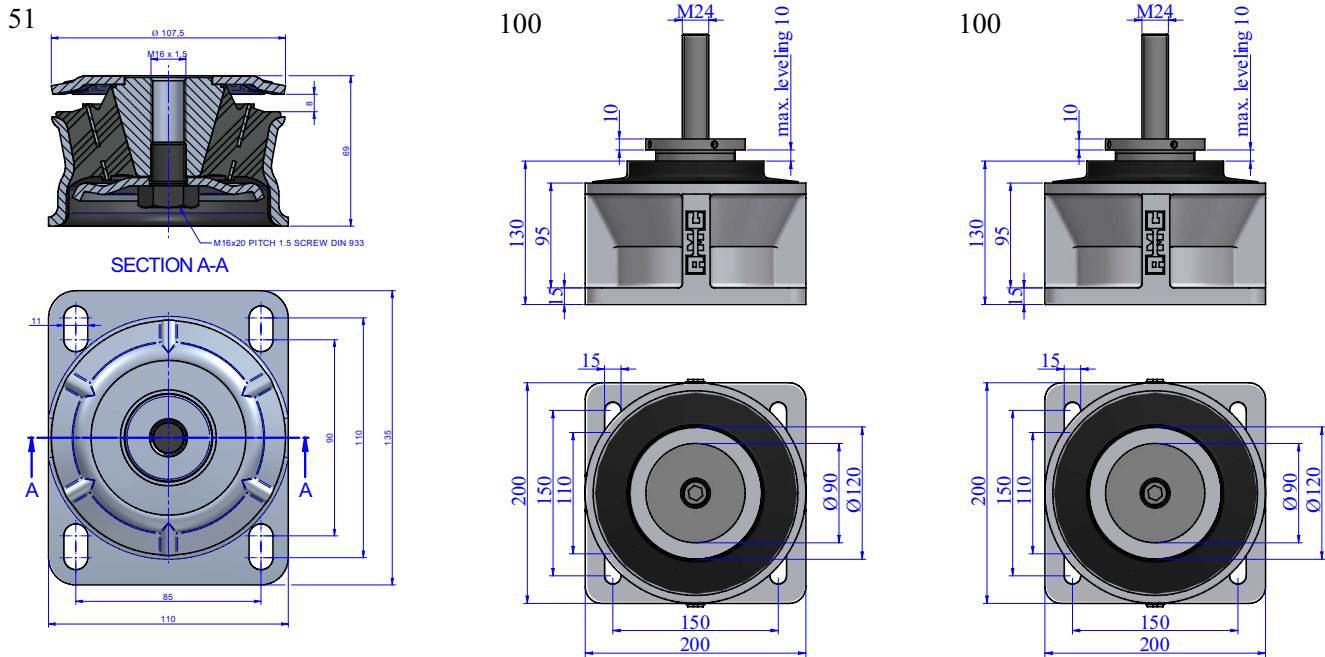
DRAWINGS



DIMENSIONS

Type	Tightening torque MAX (Nm)	Weight (gr)	Shore	Load (kg)	Code
Cone 50 M16x2	170	1600	40 Sh	120	137085
			50 Sh	170	137086
			60 Sh	250	137087
			70 Sh	300	137088
Cone 50 M16x1,5	170	1600	40 Sh	120	137231
			50 Sh	170	137233
			60 Sh	250	137235
			70 Sh	300	137237
Cone 51 M16x2	170	1750	40 Sh	150	137095
			50 Sh	220	137096
			60 Sh	320	137097
			70 Sh	420	137098

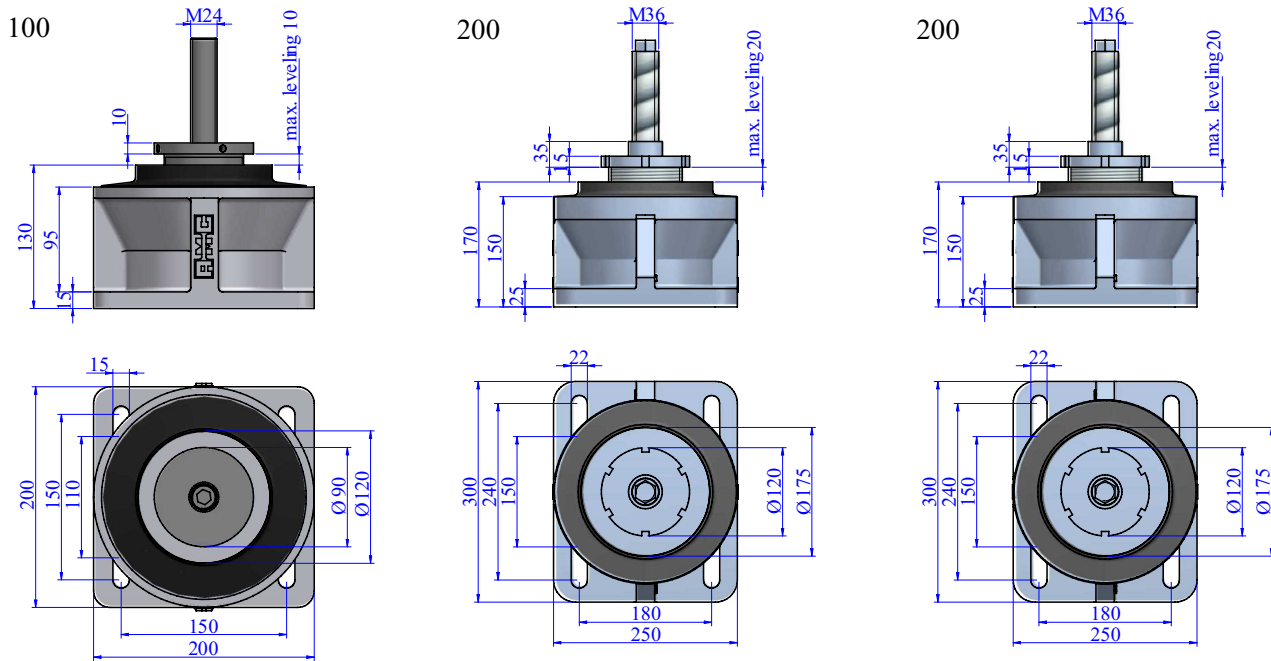
DRAWINGS



DIMENSIONS

Type	Tightening torque MAX (Nm)	Weight (gr)	Shore	Load (kg)	Code
Cone 51 M16x1,5	170	1750	40 Sh	150	137241
			50 Sh	220	137243
			60 Sh	320	137245
			70 Sh	420	137247
Cone 100 A	600	9626	-	3750	137213
Cone 100 B	600	9626	-	2300	137214

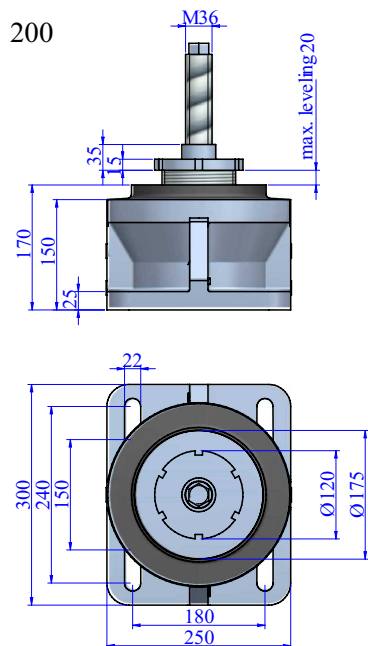
DRAWINGS



DIMENSIONS

Type	Tightening torque MAX (Nm)	Weight (gr)	Shore	Load (kg)	Code
Cone 100 C	600	9626	-	1600	137215
Cone 200 A	2100	29000	-	8500	137810
Cone 200 B	2100	29000	-	6500	137801

DRAWINGS

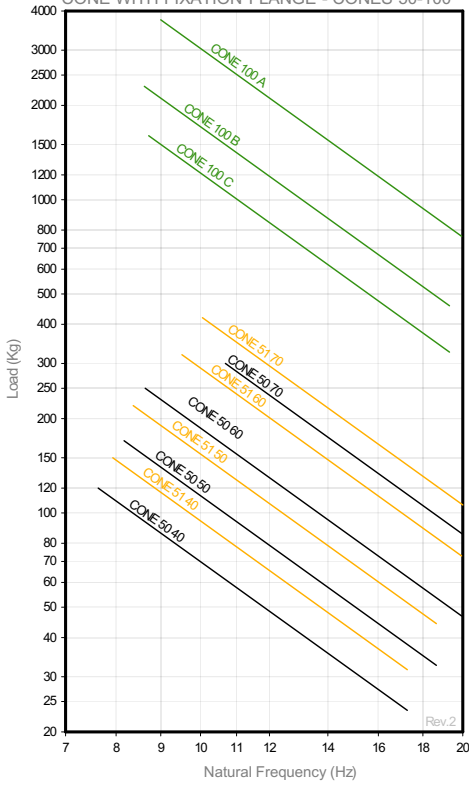


DIMENSIONS

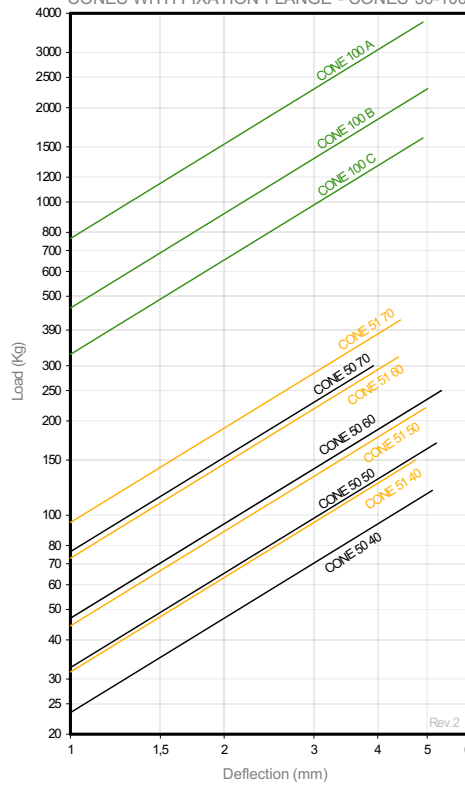
Type	Tightening torque MAX (Nm)	Weight (gr)	Shore	Load (kg)	Code
Cone 200 C	2100	29000	-	3900	137805

Elastical properties

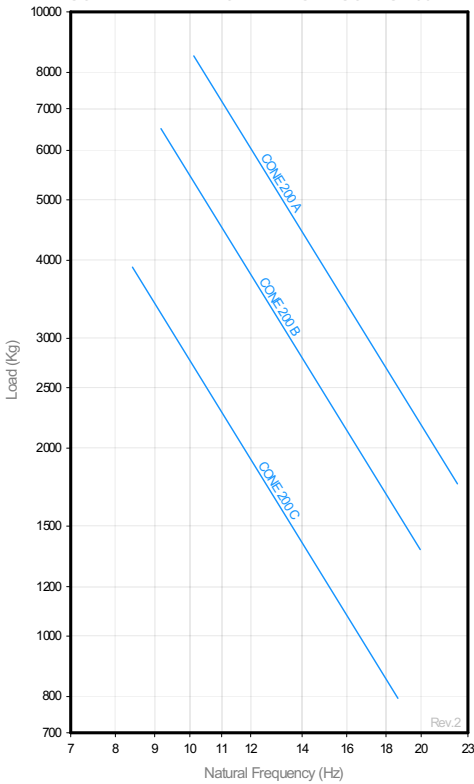
NATURAL FREQUENCY - AMC MECANOCAUCHO®
CONE WITH FIXATION FLANGE - CONES 50-100



LOAD DEFLECTION GRAPH - AMC MECANOCAUCHO®
CONES WITH FIXATION FLANGE - CONES 50-100



NATURAL FREQUENCY - AMC MECANOCAUCHO®
CONE WITH FIXATION FLANGE - CONES 200



LOAD DEFLECTION GRAPH - AMC MECANOCAUCHO®
CONES WITH FIXATION FLANGE - CONES 200

