

V-SHAPED GENERATOR MOUNT

AMC-Mecanocaucho® Vee Shaped Generator mounts are comprised of two symmetrically-inclined metal parts with a stud on each side.



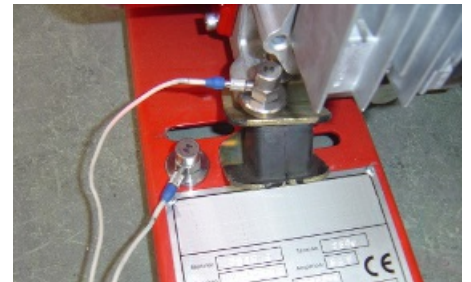
TECHNICAL CHARACTERISTICS

The V-Shaped Generator mounts render it possible to make installations which are more flexible than ones that can normally be made with cylindrical or Bobbin mounts. This makes it possible to achieve lower system frequencies and consequently improved vibration isolation.

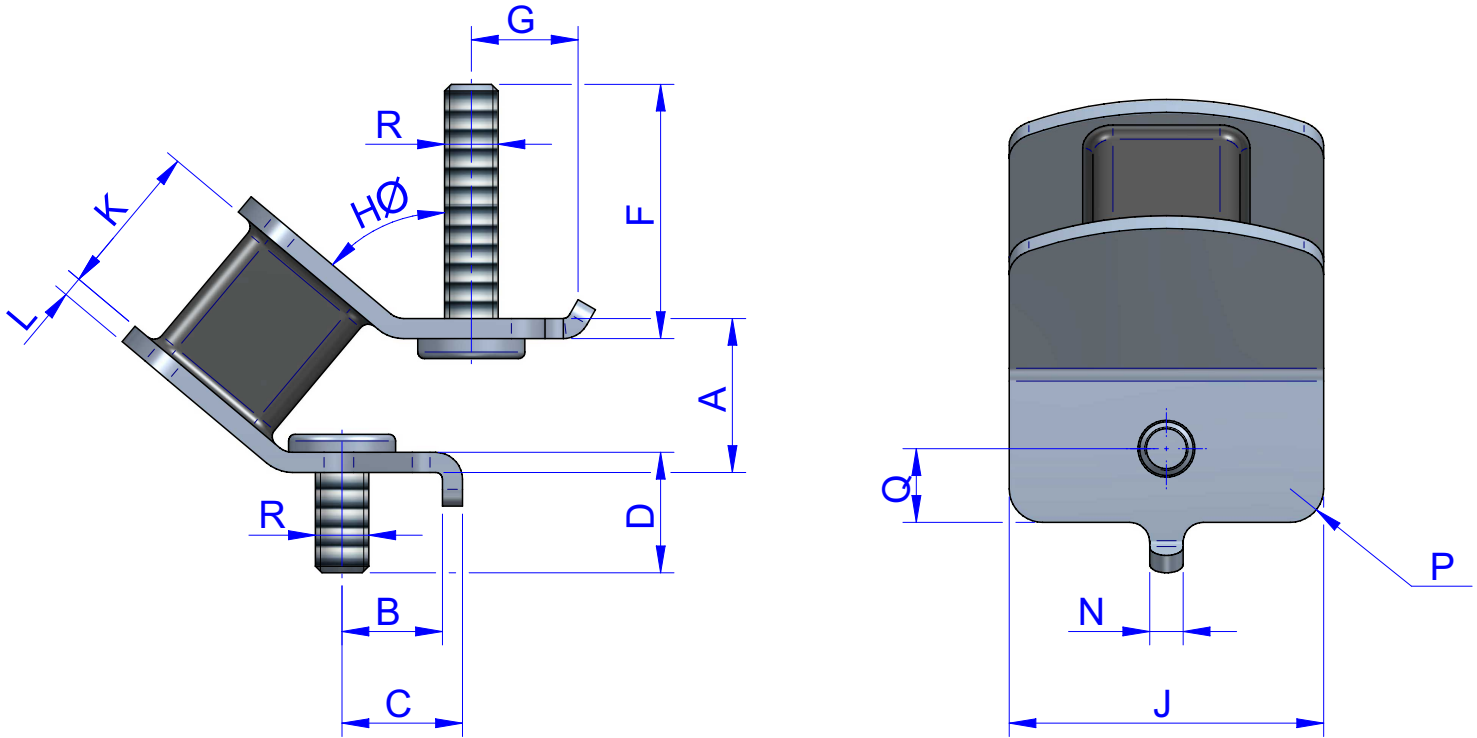
- Stability is enhanced when two are installed, symmetrically opposed See fig. 1.
- They have two different length screws which facilitate the assembly of the engine to the chassis. The screws can be supplied in different lengths to order.
- They have to "anti-turn" tabs which stop the mount from turning when strong tightening torque is applied (very frequently) with pneumatic tools.
- They are supplied in 2 hardnesses to adapt to different load ranges.
- They provide vibration attenuation or above 90% in diesel or petrol single-cylinder engines running at 3000 rpm.

APPLICATIONS

Very light weight engines requiring high levels of isolation: Portable gen sets, compressors, motor pumps ;



DRAWINGS

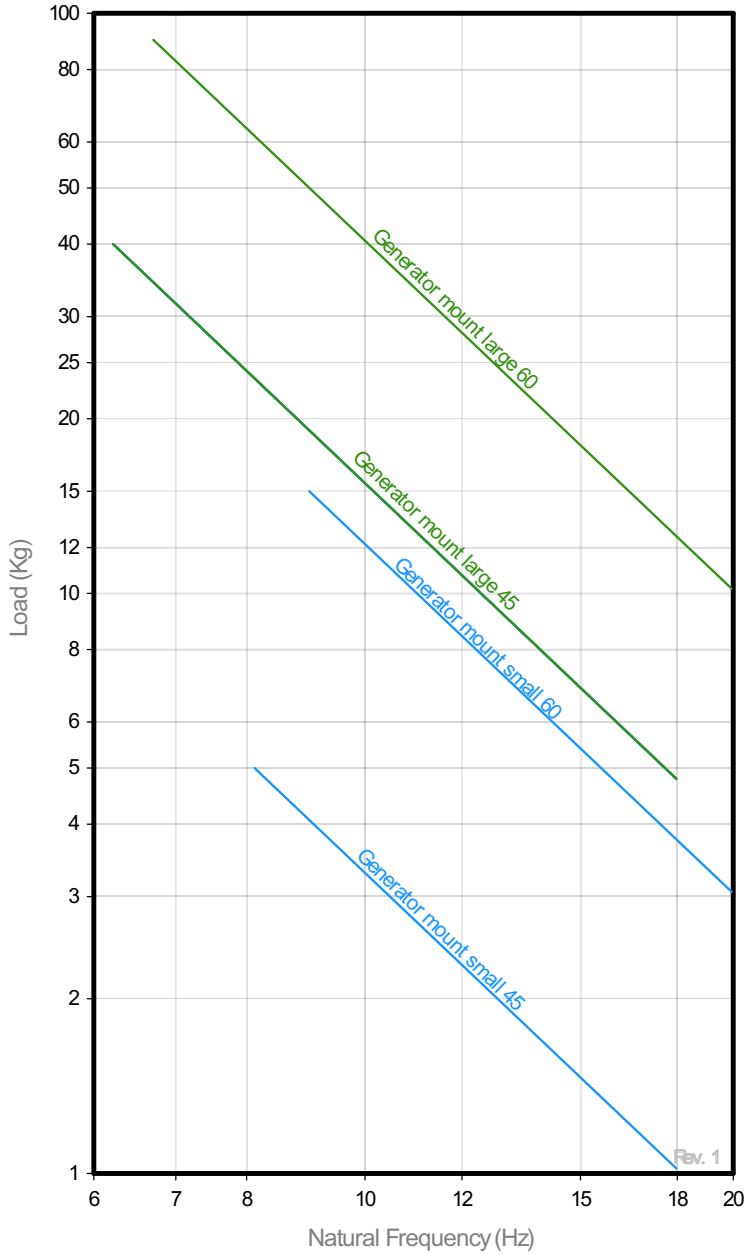


DIMENSIONS

Type	A (mm)	B (mm)	C (mm)	D (mm)	F (mm)	G (mm)	H (°)	J (mm)	K (mm)	L (mm)	N (mm)	P (mm)	Q (mm)	Weight (gr)	R (mm)	Shore	Load (kg)	Code
Small	23	14,5	18	18	38	15,9	50°	47	23	3	5	5	11	150	M8	45 Sh	5	148151
																60 Sh	15	148153
Large	28	19,5	22	18	38	20	50°	54	31	3	7	10	-	205	M8	45 Sh	40	148171
																60 Sh	90	148173

Elastical properties

NATURAL FREQUENCY
V-SHAPED GENERATOR AMC MECANOCAUCHO®



LOAD DEFLECTION GRAPH
V-SHAPED GENERATOR AMC MECANOCAUCHO®

