

# DRD ANTI VIBRATION MOUNTS



The AMC-MECANOCAUCHO® type DRD anti vibration mounts have low axial and radial stiffness rates. Their design makes them ideal for those machines that produce vibrations in 3 axes. The design of these mounts is similar to the DSD mounts, but the rubber section has a higher profile. This feature makes them lower stiffness rate mounts compared to the DSD types. DRD mounts are particularly useful for those applications where much improved vibration isolation is required .

## TECHNICAL CHARACTERISTICS

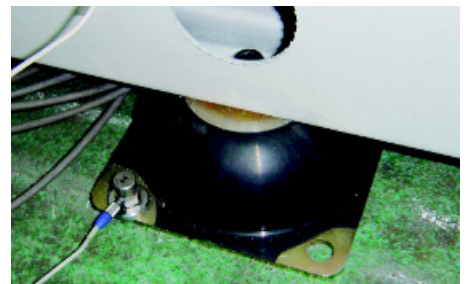
The DRD mounts by MECANOCAUCHO® have the following characteristics.

- The metal parts are protected from corrosion by an electrolytic coating for outdoor work. RoHs compliant.
- We engrave the rubber hardness on the metal parts.

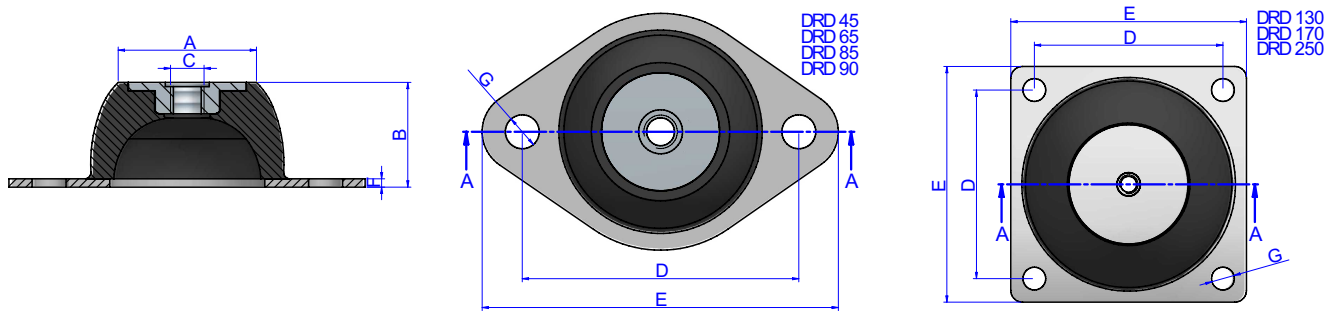
## APPLICATIONS

The D.R.D. mounts are ideal for light machinery operating at medium to low excitation frequencies.

- Compressors.
- Air-conditioners.
- Ventilators.
- Vibrating Tables.



## DRAWINGS



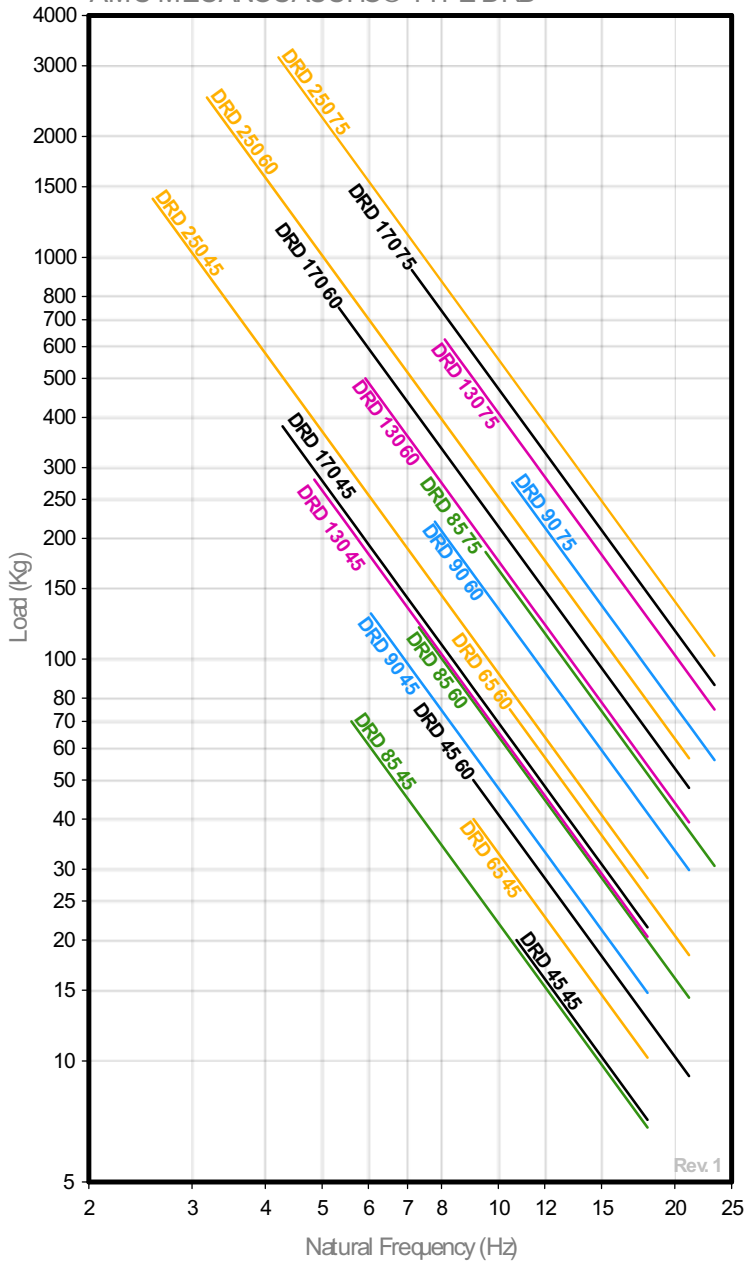
## DIMENSIONS

Type	Tightening torque MAX (Nm)	A (mm)	B (mm)	C (mm)	D (mm)	E (mm)	F (mm)	G (mm)	Weight (gr)	Shore	Load (kg)	Code
DRD 45	-	33	25	M-8	66	85	2	8	70	45 Sh	20	175081
										60 Sh	50	175083
DRD 65	-	52	35	M-10	92	114	2,5	10,5	170	45 Sh	40	175001
										60 Sh	75	175002
DRD 85	-	52	40	M-10	110	136	3	11,5	303	45 Sh	75	175003
										60 Sh	120	175004
										75 Sh	185	175013
DRD 90	-	57,5	45	M-10	125	150	3	12,5	430	45 Sh	130	175021
										60 Sh	220	175022
										75 Sh	275	175023
DRD 130	-	78	63,5	M-12	120	150	5	14,5	1080	45 Sh	280	175031
										60 Sh	500	175032
										75 Sh	625	175033
DRD 170	-	100	84	M-16	160	200	4	14,5	2390	45 Sh	380	175036
										60 Sh	750	175037
										75 Sh	930	175038
DRD 250	-	187	158	M-24	250	310	6	18,5	10400	45 Sh	1400	175041
										60 Sh	2500	175042
										75 Sh	3150	175044

## Elastical properties

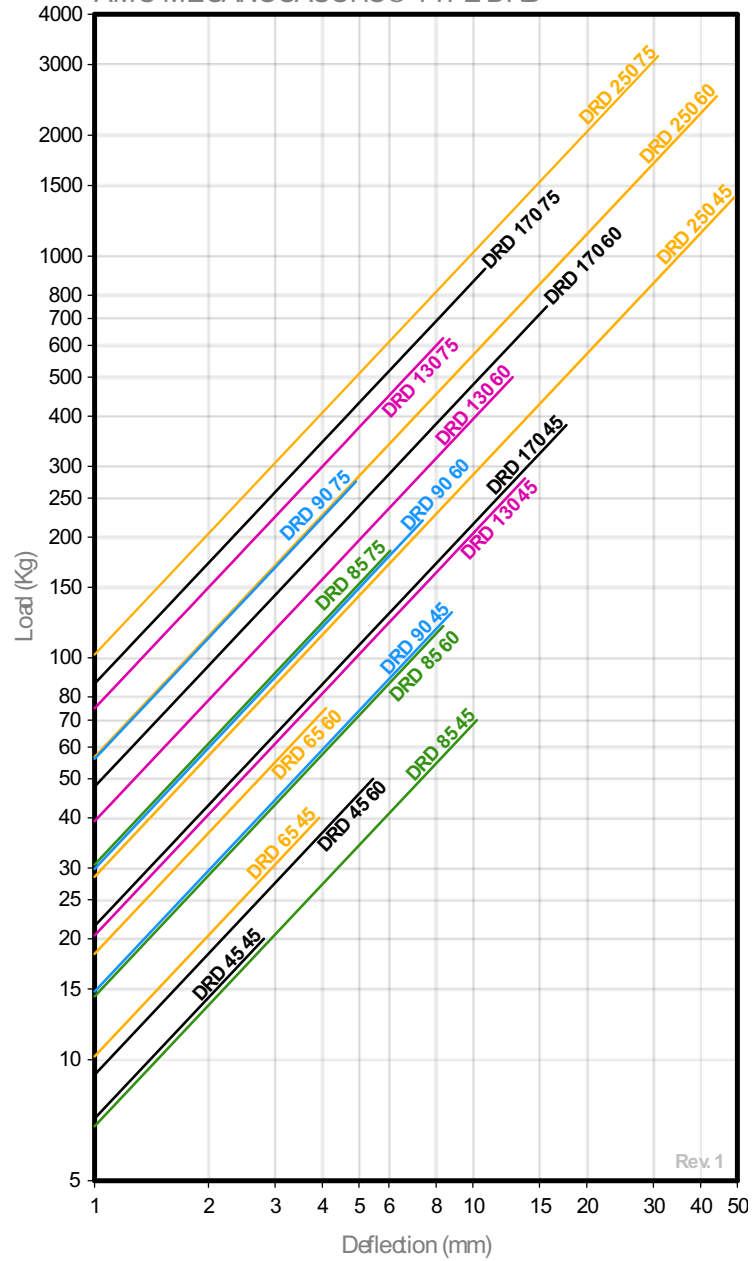
### NATURAL FREQUENCY

#### AMC MECANOCAUCHO® TYPE DRD



## LOAD DEFLECTION GRAPH

### AMC MECANOCAUCHO® TYPE DRD



### OPERATION AND ASSEMBLY



The design of the mount allows an easy installation. The top metal part has an inside thread for securing to the machine, the baseplate has 2/4 holes that allow an easy fixation to the frame. Oil anti-drip hoods can be supplied on demand.

