

DSD ANTI VIBRATION MOUNTS



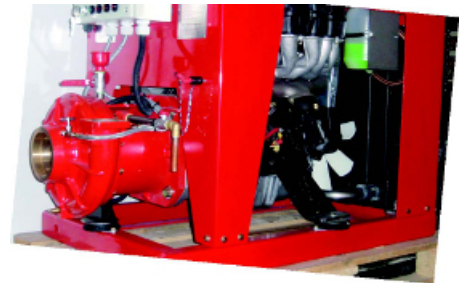
AMC-Mechanocaucho® SD anti vibration mounts design provides excellent radial and axial flexibility making them most suitable for the suspension of machines where isolation of both vertical and horizontal vibration components occur. DSD mounts comprise of two flat metal parts. The top metal part is circular with either a tapped central boss or an internal welded nut for attaching the mount to the machine frame. The lower metal part has an oval shape with two holes to allow fixing to the support structure of the machine.

TECHNICAL CHARACTERISTICS

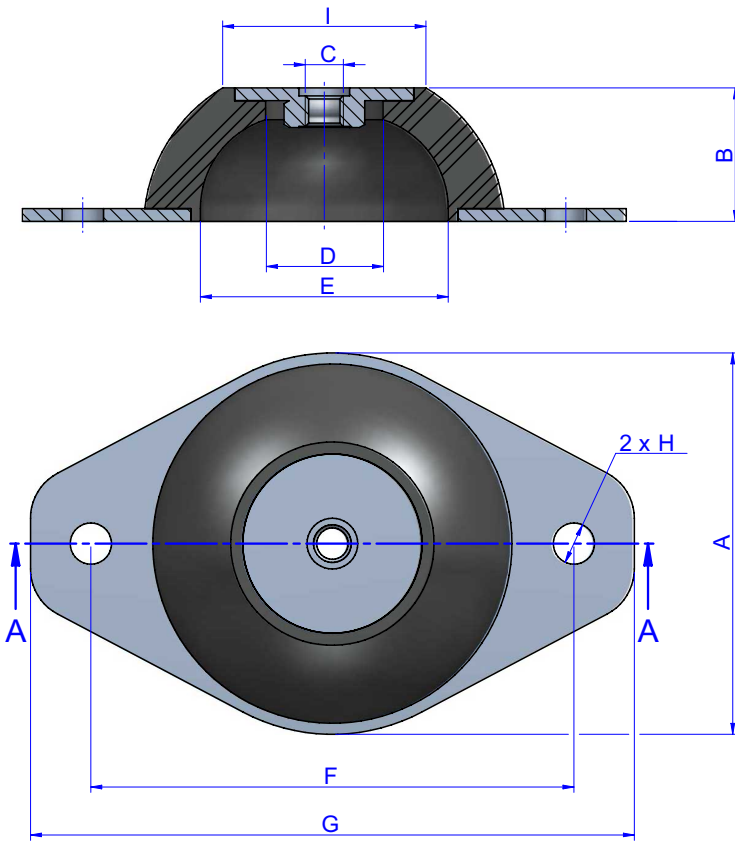
AMC-Mechanocaucho® DSD mountings have comparable stiffness rates vertically and horizontally making them very effective against random vibrations in either plane.

APPLICATIONS

DSD mountings are particularly suitable for applications with low to medium dynamic amplitudes which enables the mountings stiffness rates to provide effective isolation. Suitable for HVAC, Ventilators, rotating pumps, torque or frequency converters, electric motors or power units.



DRAWINGS

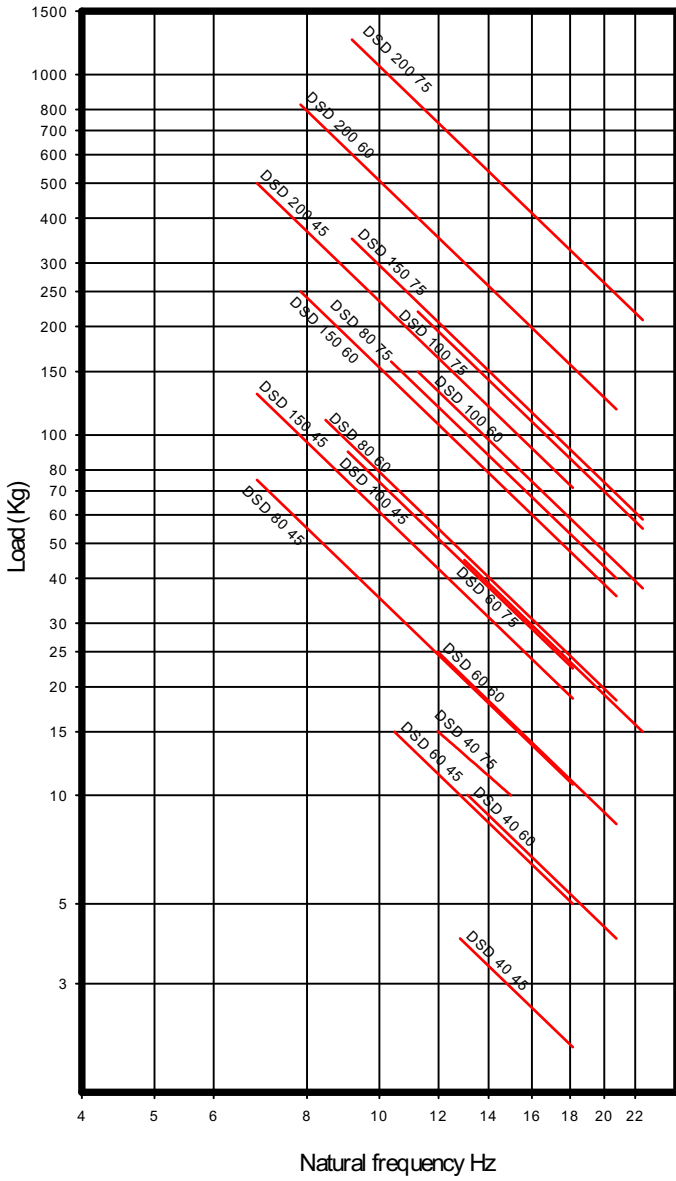


DIMENSIONS

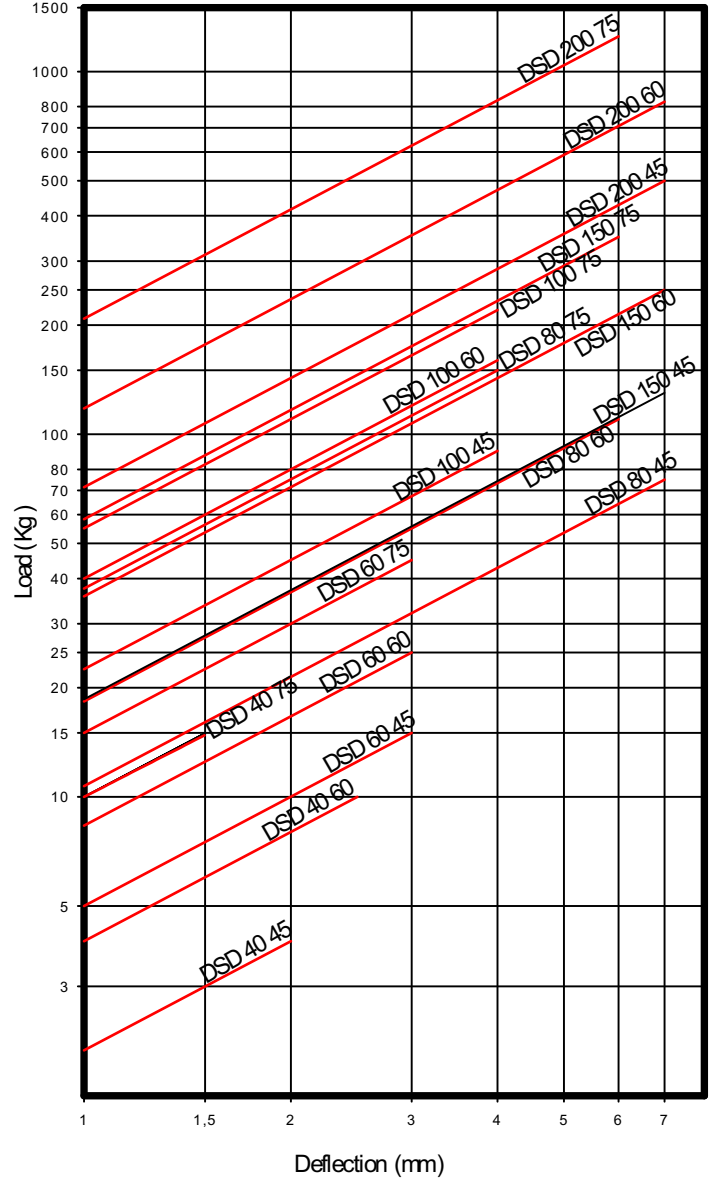
Type	Tightening torque MAX (Nm)	A (mm)	B (mm)	C (mm)	D (mm)	E (mm)	F (mm)	G (mm)	H (mm)	I (mm)	Weight (gr)	Shore	Load (kg)	Code
DSD 40	-	43	17	M-6	19	29	52	64	6,25	24,5	28	45 Sh	4	134001
												60 Sh	10	134002
												75 Sh	15	134003
DSD 60	-	60	21	M-6	14	39	76	95	6,5	32	73	45 Sh	15	134004
												60 Sh	25	134005
												75 Sh	45	134006
DSD 80	-	86	25	M-8	25	65	100	120	8,5	51	130	45 Sh	75	134007
												60 Sh	110	134008
												75 Sh	150	134009
DSD 100	-	100	25	M-10	22	67	124	149	10,5	54	262	45 Sh	90	134010
												60 Sh	160	134011
												75 Sh	220	134012
DSD 150	-	150	34	M-14	34	114	182	214	12	76	664	45 Sh	130	134013
												60 Sh	250	134014
												75 Sh	350	134015
DSD 200	-	200	40	M-18	35	140	240	280	15	128	1615	45 Sh	500	134016
												60 Sh	825	134017
												75 Sh	1250	134018

Elastical properties

**NATURAL FREQUENCIES AMC
MECANOCAUCHO® TypeDSD**



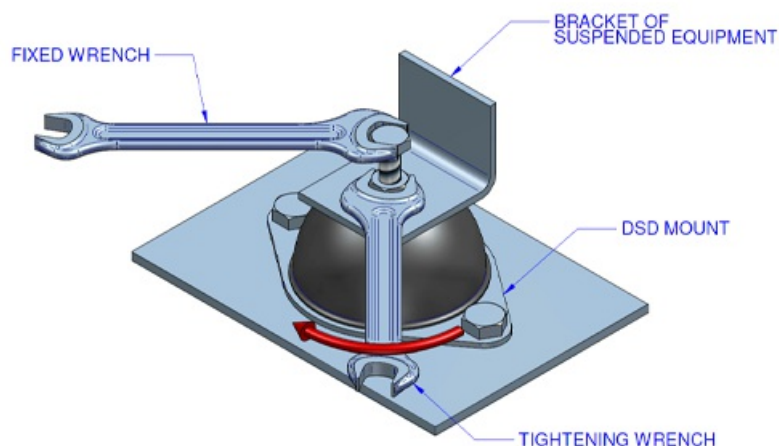
**LOAD DEFLECTION GRAPHS
MECANOCAUCHO® TypeDSD**



OPERATION AND ASSEMBLY



Both metal parts are fully bonded to the dome shaped circular rubber section during moulding.



The rubber section works in compression when loaded. In the event of shock inputs or accidental overloads the mountings will deflect vertically and horizontally, absorbing the shock energy. It is highly recommended that the metal caps shown below are used on the assembly to produce progressive stiffening under dynamic load inputs. Attachment of the mounts to the support structure can either be by the use of Set Screws, Bolts or by adapting the support structure to have studs securely fixed to the floor as in the case of concrete slabs. For applications where high vibration isolation is needed, DRD mounts should be considered as the alternative.

ADVANTAGES



- Simple to install, they can be placed directly on the floor or ground due to the vertical flexibility of the rubber section without direct attachment. Effectiveness – with three standard compounds available, identified by the hardness stamped on the base, Soft: hardness A 45, Medium: hardness B 60, Hard: hardness C 75), enabling the user to choose the most suitable mount for the load to be supported and the vibration frequency. For extremely low vibration frequencies they can be mounted in series to provide additional vibration isolation. In certain cases it may be advisable to install an effective “Fail Safe” design to prevent over deflection.
- Speed of placement of the mount and easy movement of the machine to the required spot.
- Cost effective.