

ELASTOMERIC SPRINGS



The AMC-MECANOCAUCHO® type Elastomeric Spring anti vibration mounts are ideal for those applications where high vibration isolation is required. Its specific design allows this mount to have high deflection. This feature is particularly useful on those applications where vibration in the vertical sense is predominant.

TECHNICAL CHARACTERISTICS

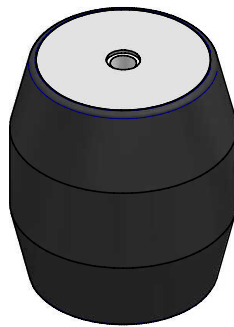
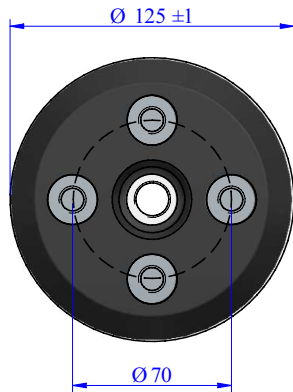
The damping properties of the rubber allow to provide a higher motion control of the suspended element. The optimal corrosion properties allow this mount to resist to aggressive corrosion environments.

APPLICATIONS

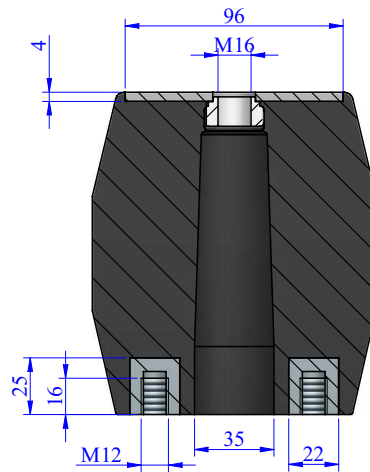
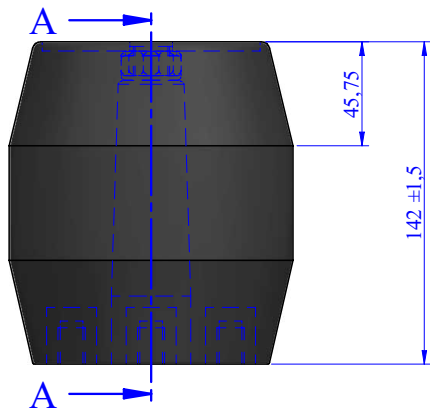
The AMC-MECANOCAUCHO® Elastomeric Spring anti vibration mounts are used in applications where a high degree of isolation is required and also motion control of the suspended element is required, such as : vibrating tables, vibration feeders or suspension of industrial vehicles.



DRAWINGS



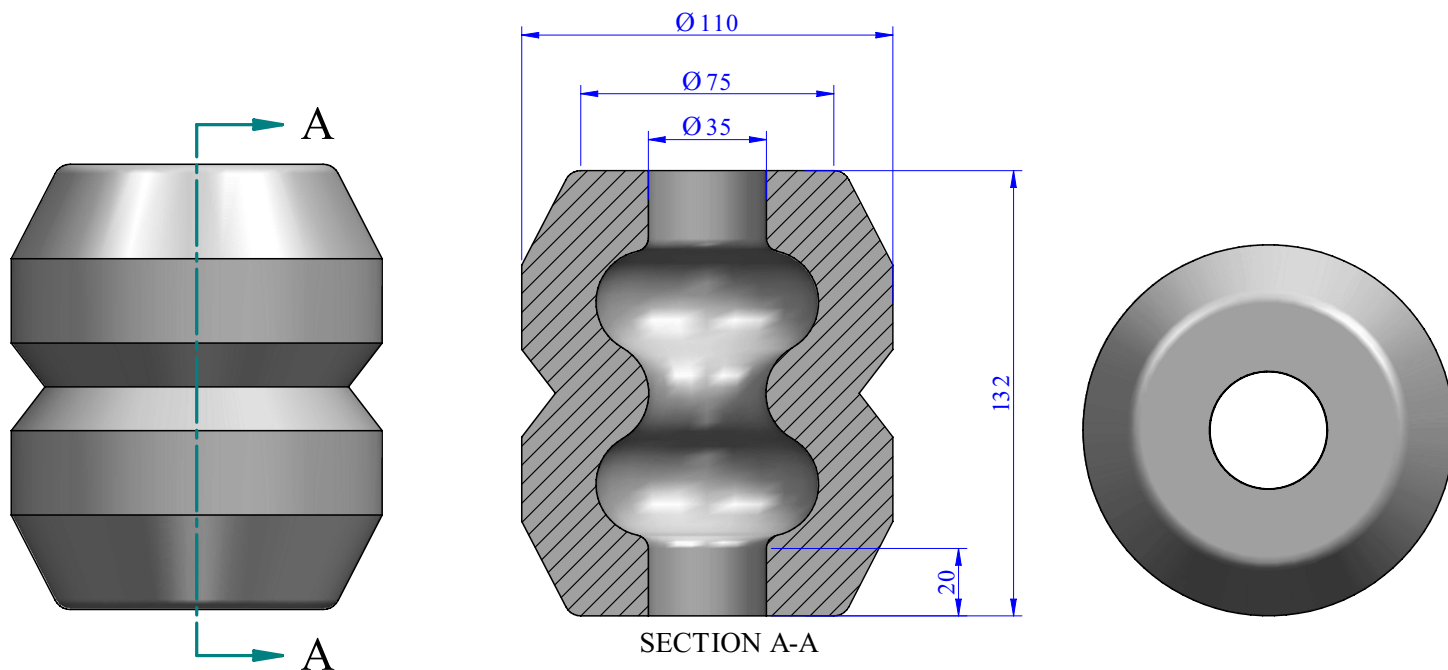
SECTION A-A



DIMENSIONS

Type	Shore	Weight (kg)	LOAD kg MAX	Max. Schock	Code
RSFF 125 142	55 Sh	1,953	1150 Kg	-	180251

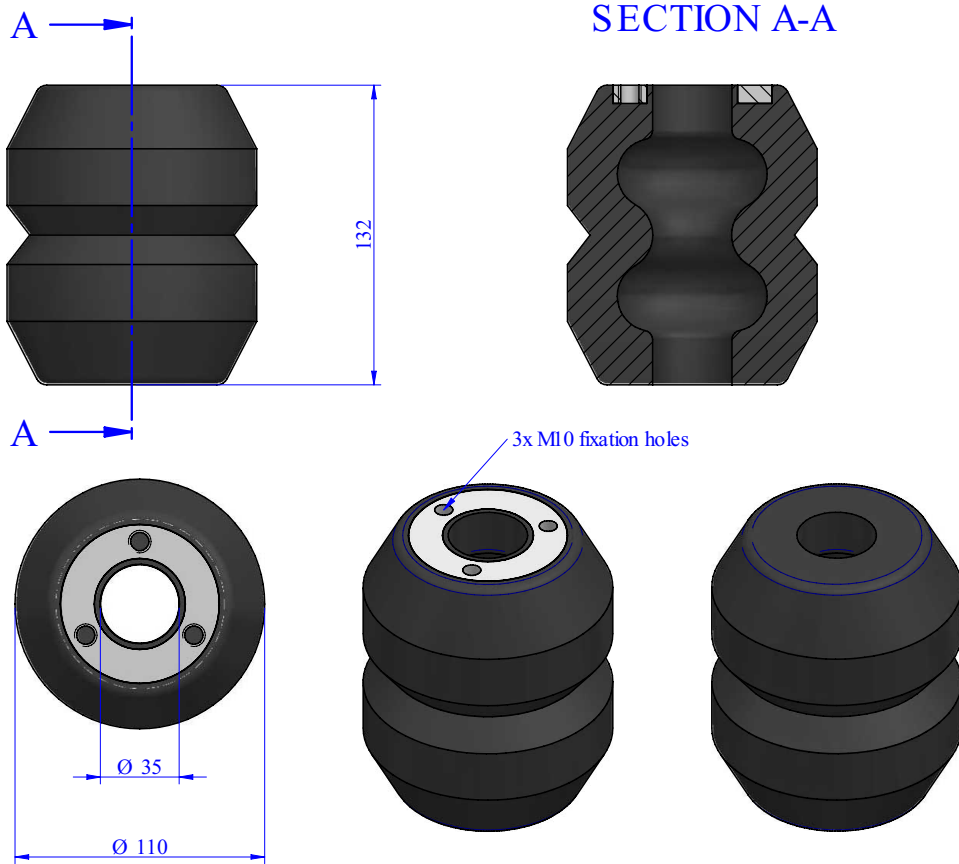
DRAWINGS



DIMENSIONS

Type	Shore	Weight (kg)	LOAD kg MAX	Max. Schock	Code
RS 110 132	60 Sh	0,939	450 Kg	1200 Kg	180185

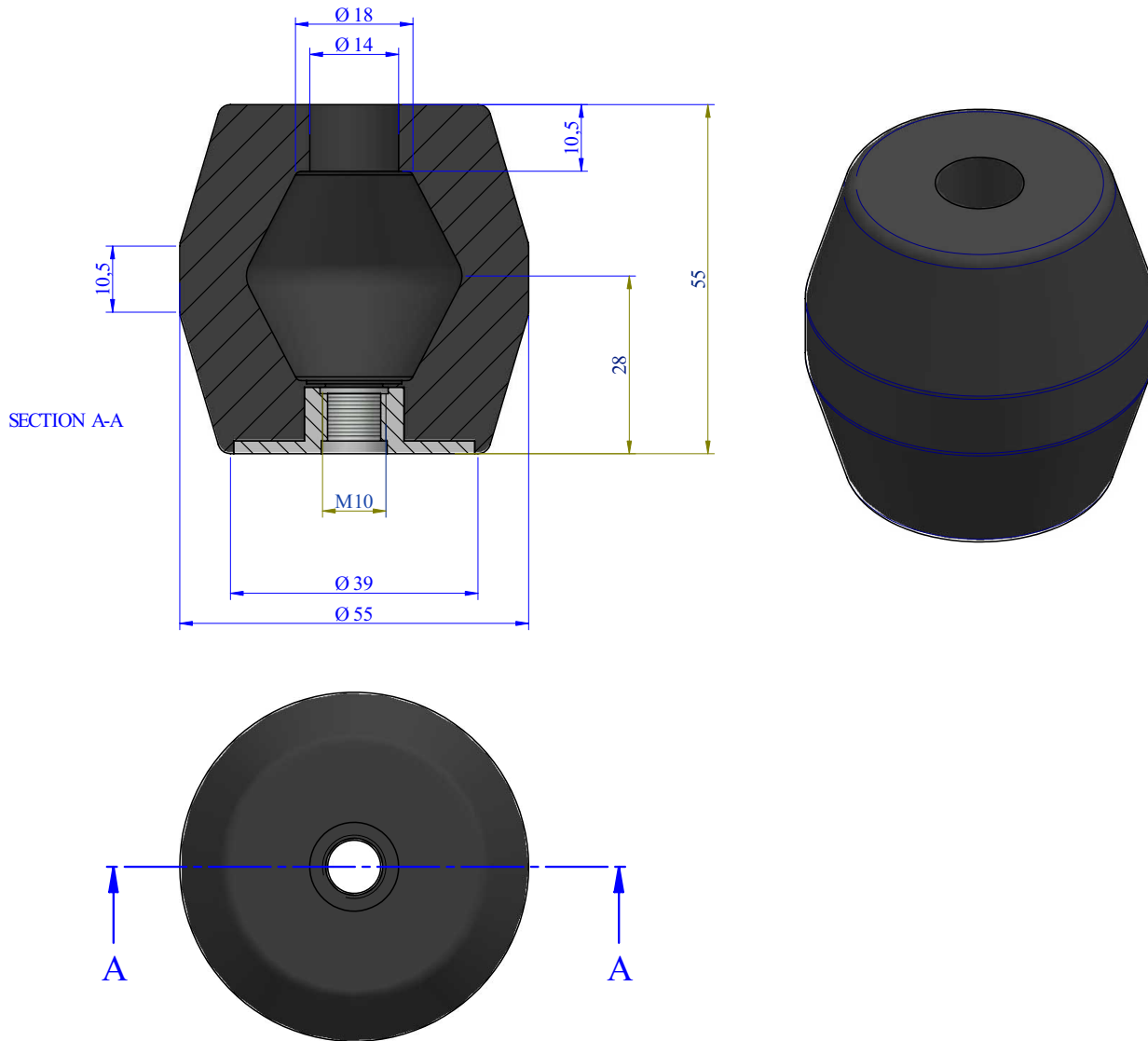
DRAWINGS



DIMENSIONS

Type	Shore	Weight (kg)	LOAD kg MAX	Max. Schock	Code
RSF 110 132	60 Sh	1,072	450 Kg	1200 Kg	180234

DRAWINGS



DIMENSIONS

Type	Shore	Weight (kg)	LOAD kg MAX	Max. Schock	Code
RSF 55 55	65 Sh	0,123	60 Kg	120 Kg	180177

Elastical properties

Load vs Deflection

