

NP ANTI VIBRATION MOUNTS



The AMC-MECANOCAUCHO® NP anti vibration mounts are composed of a metallic flange and a bush that are bonded to a high resilient rubber compound.

The AMC-MECANOCAUCHO® NP anti vibration mounts can be fitted with overload/rebound washers. This allows fail-safe installations. For this purpose we recommend using washer Ref. AMC: 608074 that has the following dimensions :76x16.5x5mm.

The flange comes with four fixing holes and the inner bush allows upto 120 N/mm tightening torque.

TECHNICAL CHARACTERISTICS

AMC-MECANOCAUCHO® NP anti vibration mounts can be applied in mobile applications when installed with overload/rebound washers.

AMC-MECANOCAUCHO® NP anti vibration mounts are available in several rubber hardnesses to suit the load range of the application.

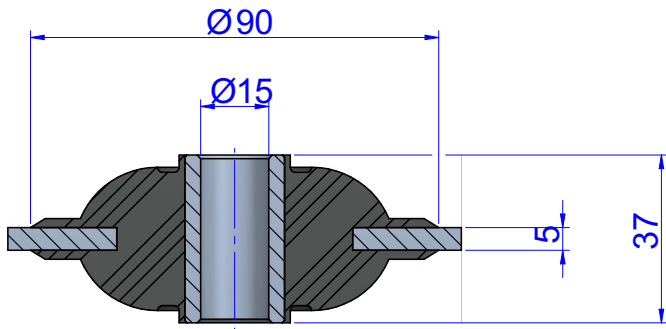
APPLICATIONS

AMC-MECANOCAUCHO® NP anti vibration mounts are used for the effective noise and vibration isolation in the following applications:

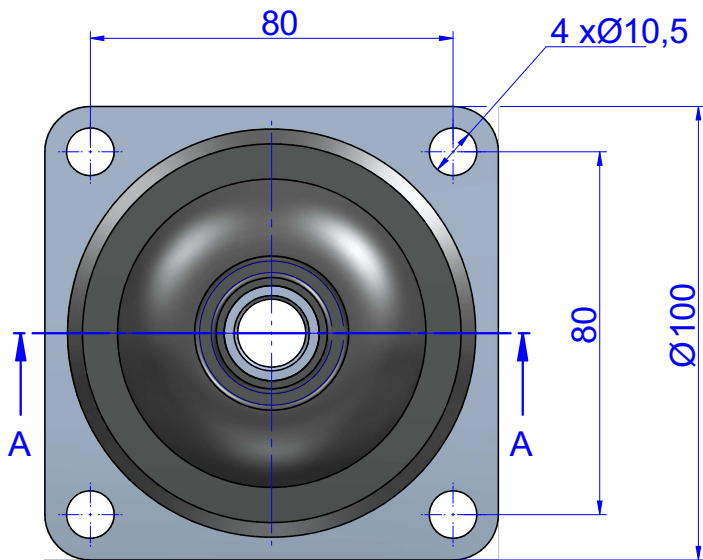
- Agricultural equipment
- Construction equipment machinery
- Cranes
- Forklift trucks
- Multipurpose vehicles



DRAWINGS



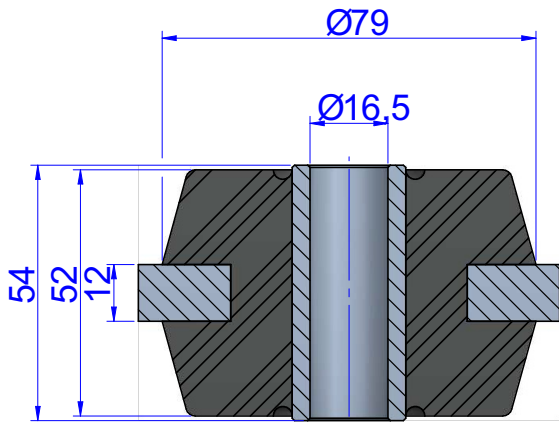
SECTION A-A



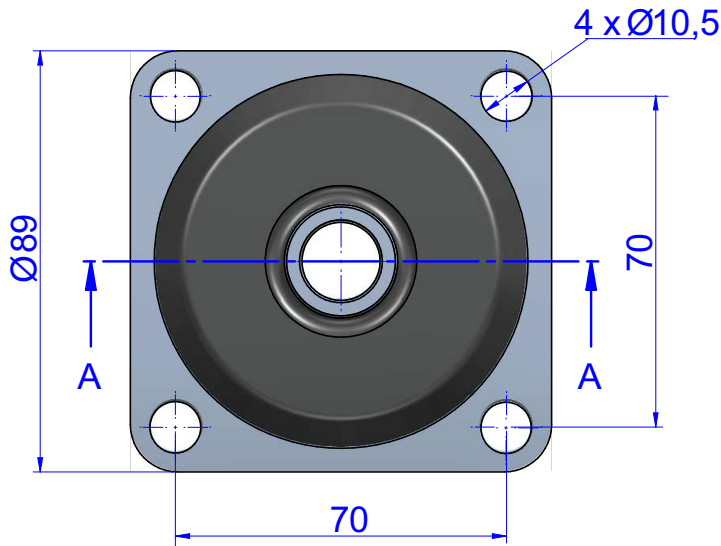
DIMENSIONS

Type	Tightening torque MAX (Nm)	Shore	Max. Load (kg)	Code
NP1	88	50Sh	250	138202
		60Sh	325	138201
		70Sh	400	138203

DRAWINGS



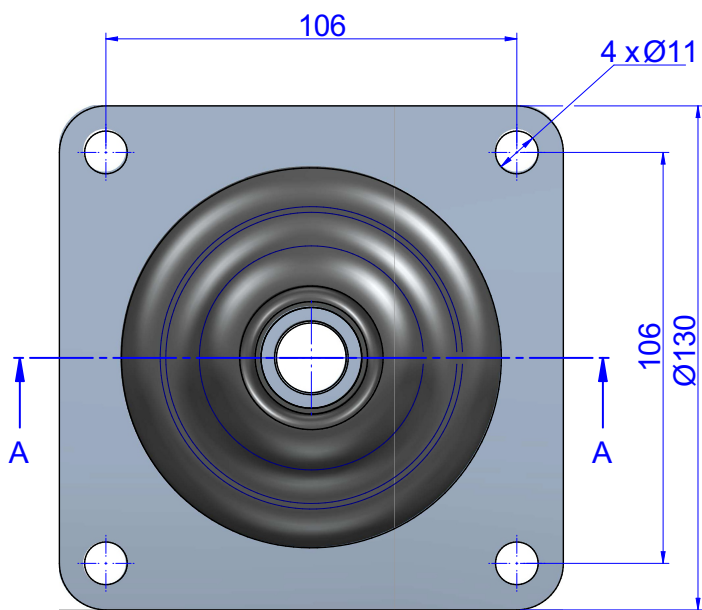
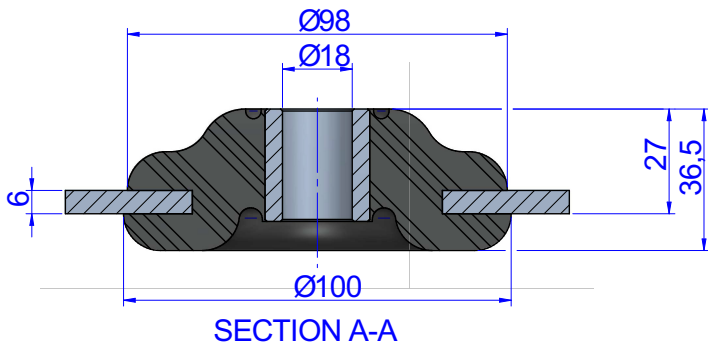
SECTION A-A



DIMENSIONS

Type	Tightening torque MAX (Nm)	Shore	Max. Load (kg)	Code
NP2	125	45Sh	320	138205
		60Sh	550	138206
		70Sh	750	138207

DRAWINGS

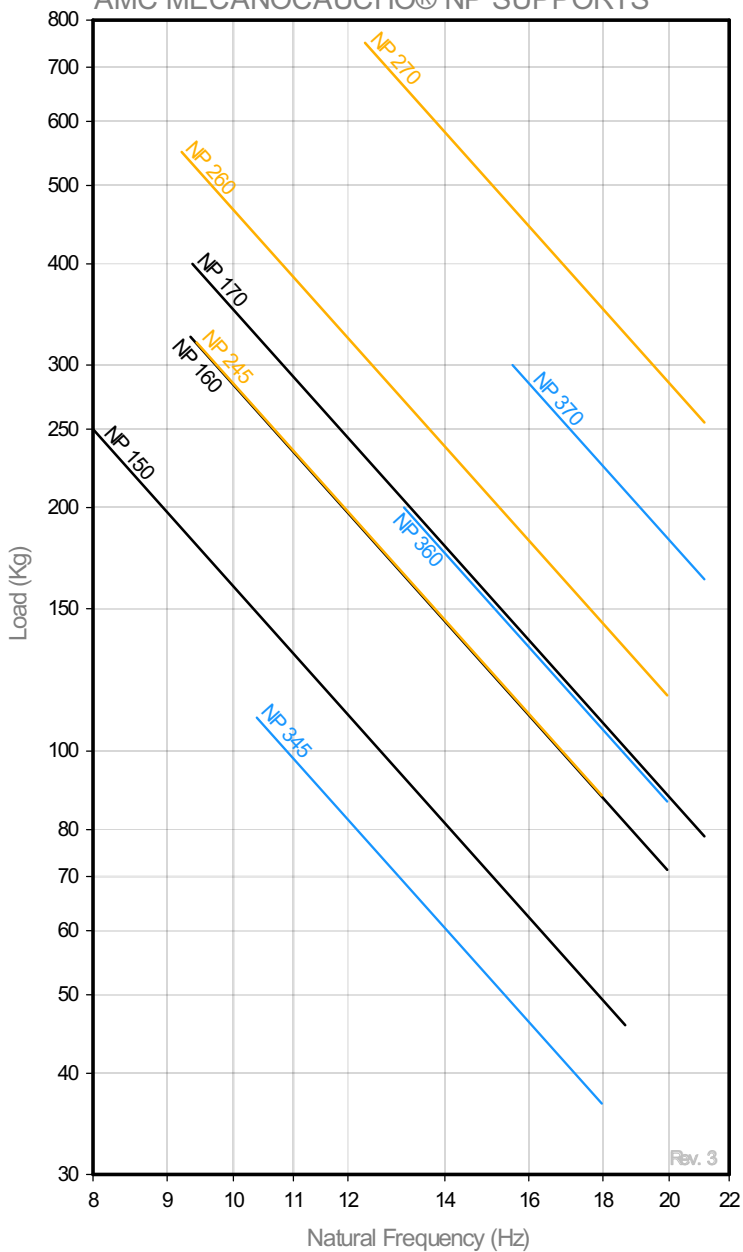


DIMENSIONS

Type	Tightening torque MAX (Nm)	Shore	Max. Load (kg)	Code
NP3	170	45Sh	110	138190
		60Sh	200	138191
		70Sh	300	138192

Elastical properties

NATURAL FREQUENCY
AMC MECANOCAUCHO® NP SUPPORTS



LOAD DEFLECTION GRAPH
AMC MECANOCAUCHO® NP SUPPORTS

