

SCB ANTI VIBRATION MOUNTS



AMC Mechanocaucho SCB anti vibration mounts are elements that work on the basis of compression loading . Due to their design and assembly they provide an anti-rebound effect, thus providing Fail Safe conditons on assembly.

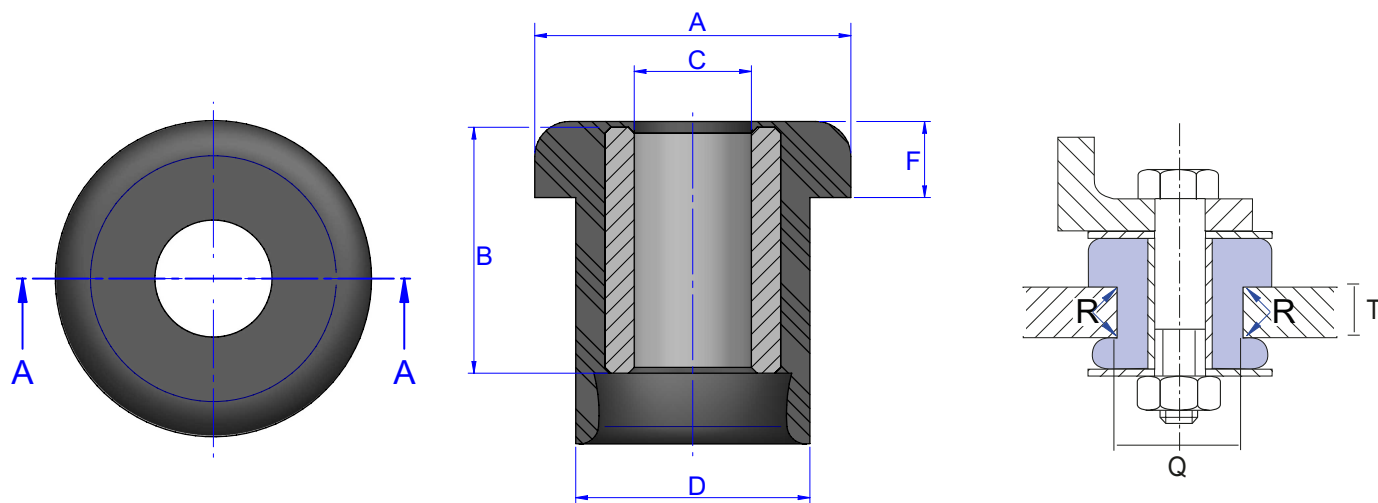
TECHNICAL CHARACTERISTICS

- Easy to assemble.
- Simple and economical product.
- Wide range of loads.

With the use of upper an lower assembly washers supplied it makes them highly recommendable for rough terrain vehicle safety purposes.



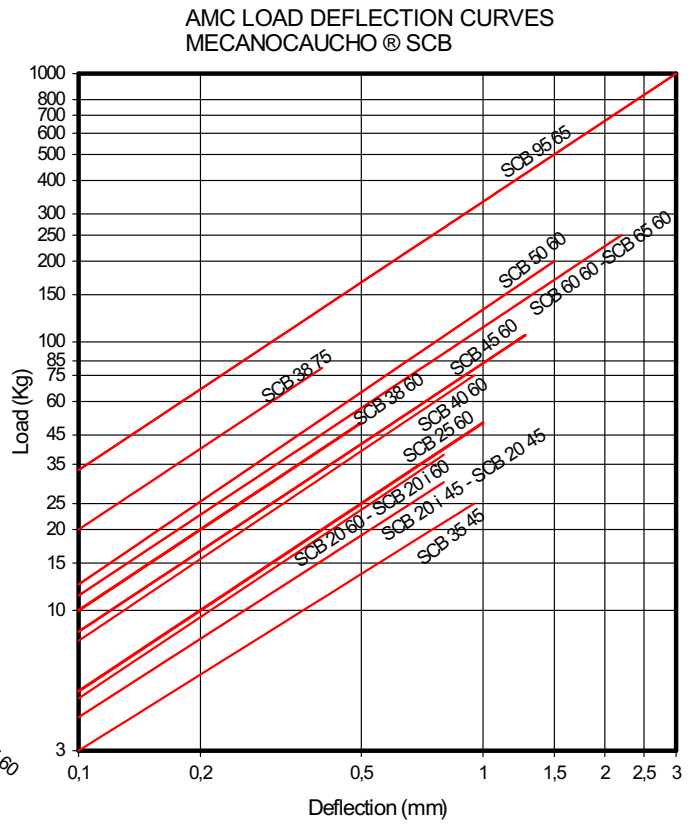
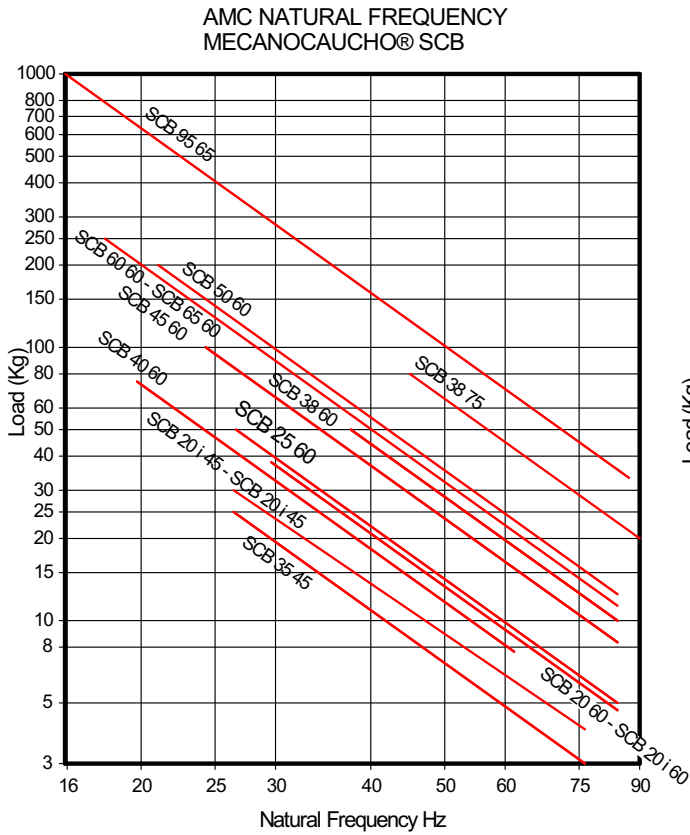
DRAWINGS



DIMENSIONS

Type	Tightening torque MAX (Nm)	A (mm)	B (mm)	C (mm)	D (mm)	F (mm)	Q (mm)	T (Max.)	T (Min.)	Weight (g)	R (mm)	Shore	Load (kg)	Code
SCB 20	41	27	15,5	10,25	20	7	19,5	5	4	20	1	45 Sh	30	138013
SCB 20i	20,5	27	15,5	8,1	20	7	19,5	5	4	20	1	60 Sh	38	138019
SCB 25	41	27,5	21	10	20	6,5	19,5	11	10	20	1	60 Sh	50	138001
SCB 35	20,5	27,5	12,5	8,9	19,4	8,5	19	4	3	30	0,5	45 Sh	25	138012
SCB 38	41	33,5	19	10,5	20,5	11	20,5	5	3	30	0,5	60 Sh	50	138043
												75 Sh	80	138044
SCB 40	71	35	15,5	13	26,5	8	26,5	5	4	50	1	60 Sh	75	138022
SCB 45	71	41,5	25,8	13,5	31	10	30	11	10	56	1,5	60 Sh	100	138002
SCB 50	71	49,5	35	13,5	34	13,5	33	17	16	73	1,5	60 Sh	200	138003
SCB 60	113	63	31,2	16,2	41	17	40	10	9	108	3	60 Sh	250	138004
SCB 65	113	62	43,5	16,5	40	17	39	20	19	140	3	60 Sh	250	138005
SCB 95	400	92	51,5	20,5	56	26,5	54,5	20	19	395	3	65 Sh	1000	138011

Elastical properties



OPERATION AND ASSEMBLY



The SCB mounts must be installed according to the following installation instructions:

They can be installed in frames of different thicknesses according to the values of T, given in the table below. The load vs. deformation curves will vary depending on the thickness of the frame on which the mount is installed. This thickness "T" determines the degree of precompression of the mount.

For the correct installation of the mount, it is recommended to make a hole in the frame with diameter Q, given in the table below.

It is recommended to chamfer the hole so as not to damage the rubber.

The use of washers is recommended in the event that the support surface does not completely cover the rubber surface.

Respect the tightening torque of the mount.

In case of any doubt, contact the technical department.