

# SPS ANTI VIBRATION MOUNTS



AMC-MECANOCAUCHO® SPS type anti vibration mounts are comprised of two pressed metal parts, a cup shaped Top Cap and a pressed steel inverted cup shaped base into which two moulded rubber sections are assembled and then secured by means of swaging with a threaded centre insert to complete the assembly.

## TECHNICAL CHARACTERISTICS

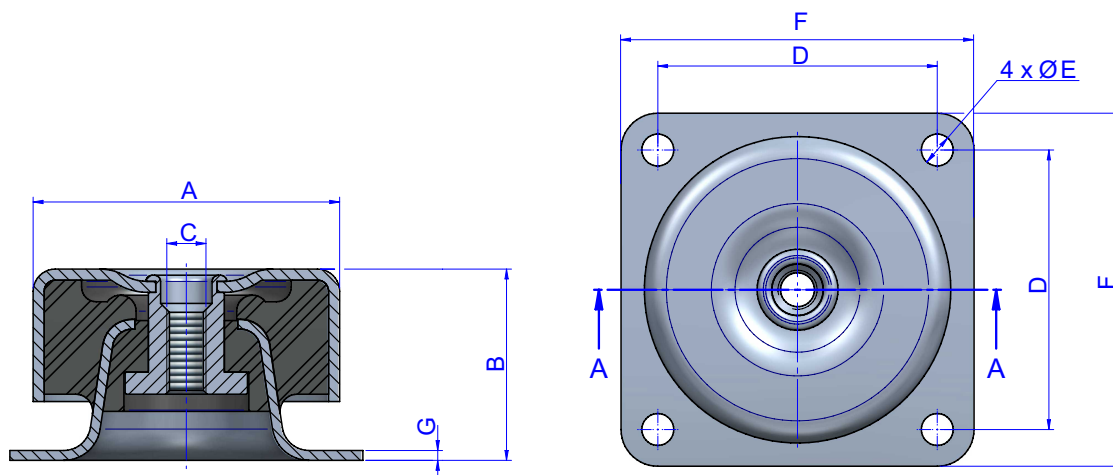
Due to their design , SPS mounts can work with compression and tensile loads , isolating effectively by using the friction of the rubber sections with the inner surfaces of the assembled metal parts. It is most effective in applications where high frequency vibrations are predominant. Various rubber compounds are available for assembly depending upon the applications being considered, ie , high temperatures, oil and diesel resistance, ageing resistance against Ozone attack for example .

## APPLICATIONS

With a captive rubber unit the SPS mounts afford total safety in Mobile applications. They are compact in design for the range of loads to be supported and can be manufactured in Stainless Steel metal parts as an option for Food Industry applications, and coupled with appropriate compounds for environments involved , ie , Food Industries . Applications range from high speed operational equipment such as Refrigeration units , Compressors, Transformers , HVAC units on trains and Passenger Transport .



DRAWINGS

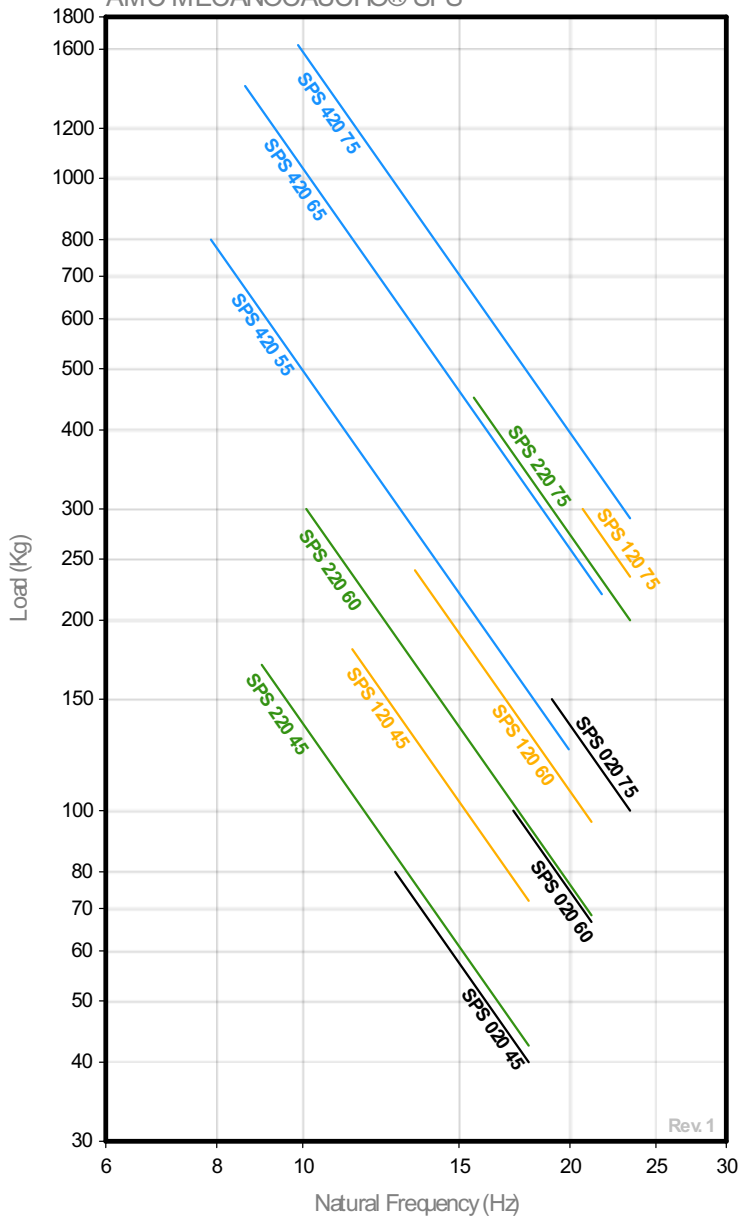


DIMENSIONS

Type	A (mm)	B (mm)	C (mm)	D (mm)	E (mm)	F (mm)	G (mm)	Weight (gf)	Shore	Load (kg)	Code
SPS 020	50	28	M-8	50	6	60	1,5	171	45 Sh	80	140001
									60 Sh	100	140003
									75 Sh	150	140005
SPS 120	76	39	M-10	63,5	6,7	76	3	524	45 Sh	180	140002
									60 Sh	240	140004
									75 Sh	300	140006
SPS 220	90	51	M-12	90	11	114	3	971	45 Sh	170	140007
									60 Sh	300	140008
									75 Sh	450	140009
SPS 420	125	78	M-16	114	13	144	4	2424	55 Sh	800	140034
									65 Sh	1400	140035
									75 Sh	1625	140033

Elastical properties

NATURAL FREQUENCY  
AMC MECANOCAUCHO® SPS



LOAD DEFLECTION GRAPH  
AMC MECANOCAUCHO® SPS

