

TF ANTI VIBRATION MOUNTS



The AMC-Mecanocaucho® TF type vibration isolators are made of two symmetric moulded parts. They are designed to work in traction or compression providing a similar stiffness. When installed with metal washers they allow failsafe installations. They are installed pre-compressed on the actual machine frame, whose thickness determines the degree of pre-compression of the assembly.

TECHNICAL CHARACTERISTICS

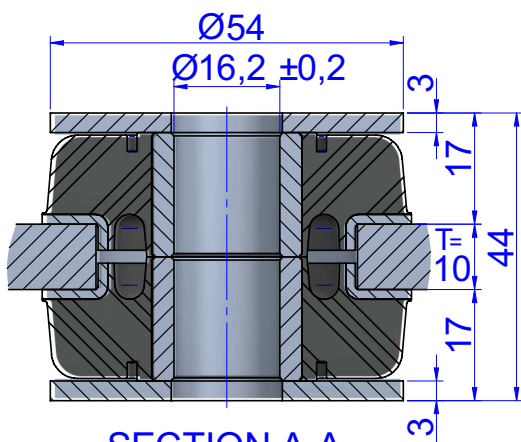
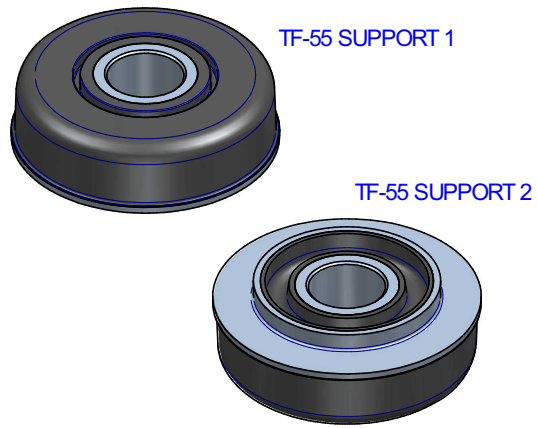
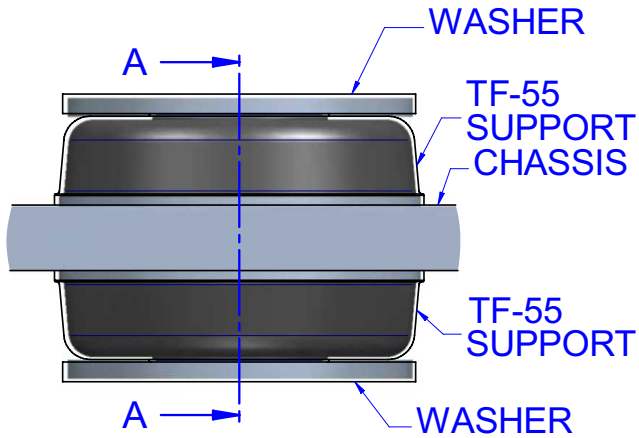
This antivibration mount is ideal for applications with major dynamic loadings such as : Off Road Construction vehicles for engines , gearboxes , Operator Cabins where movement control is necessary. It also offers optimal stability, as well as good attenuation of impacts and high frequency vibrations.

APPLICATIONS

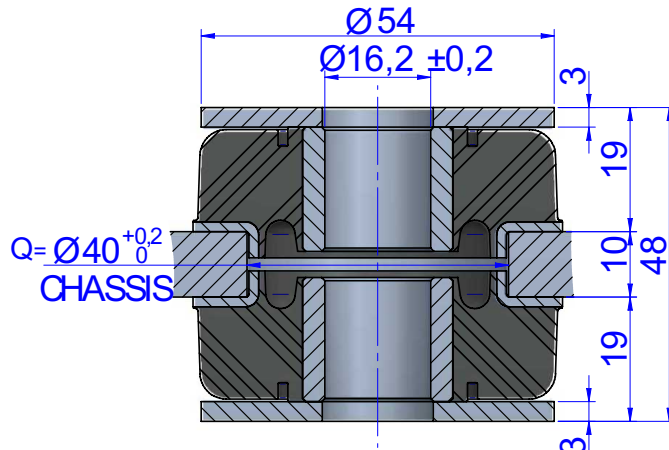
- Vehicle cabins
- Public works and agricultural vehicles, etc.



DRAWINGS



SECTION A-A
MAX. TORQUE: 170Nm

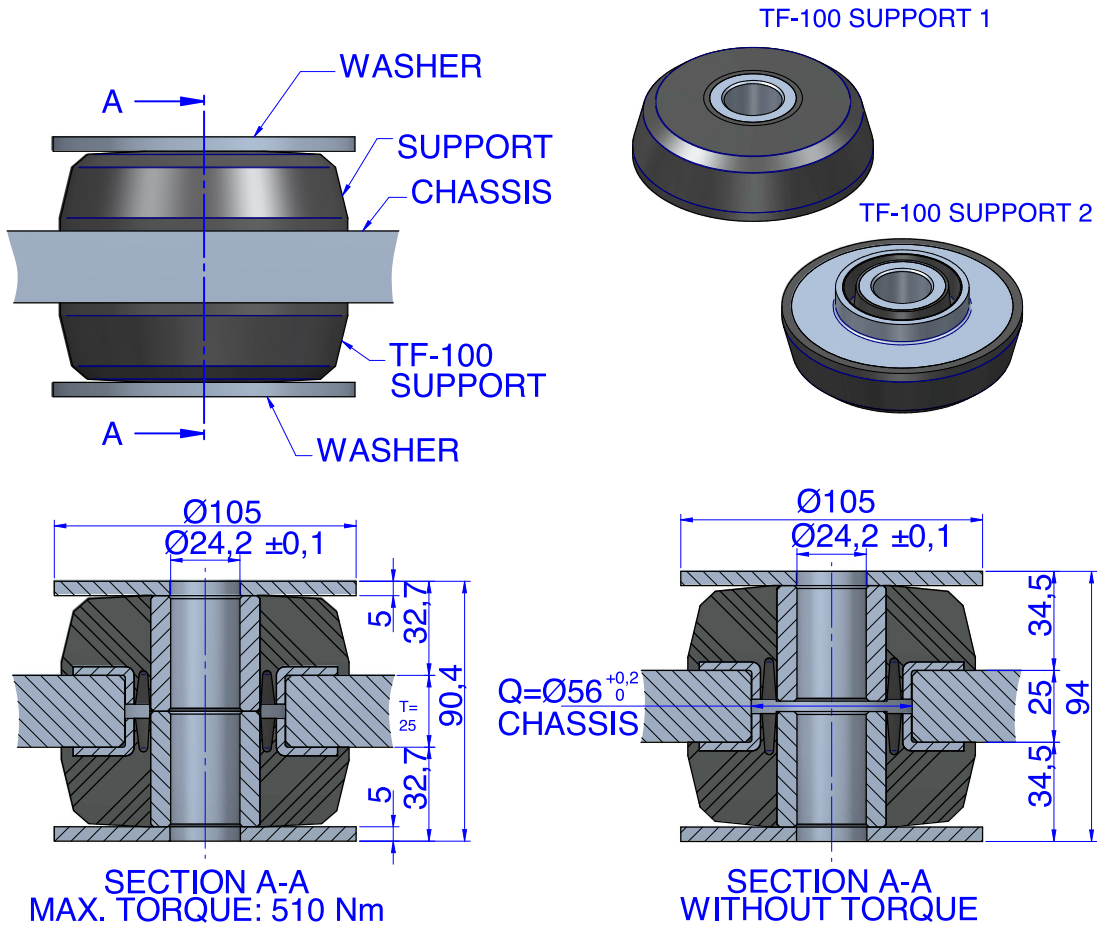


SECTION A-A
WITHOUT TORQUE

DIMENSIONS

Type	T Min. (mm)	Q (mm)	Weight (g)	Washer	Bolt Size (Metric)	Bolt Size (Imperial)	Max. Load (kg)	Shore	Code
TF 55	10	40	82	611056	M16	5/8"	80	45 Sh	138061
							175	60 Sh	138063

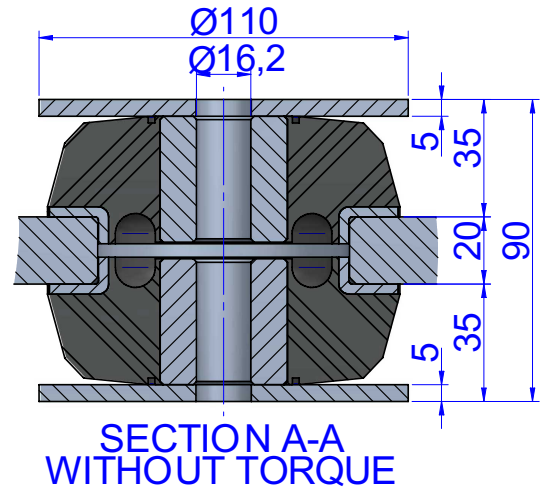
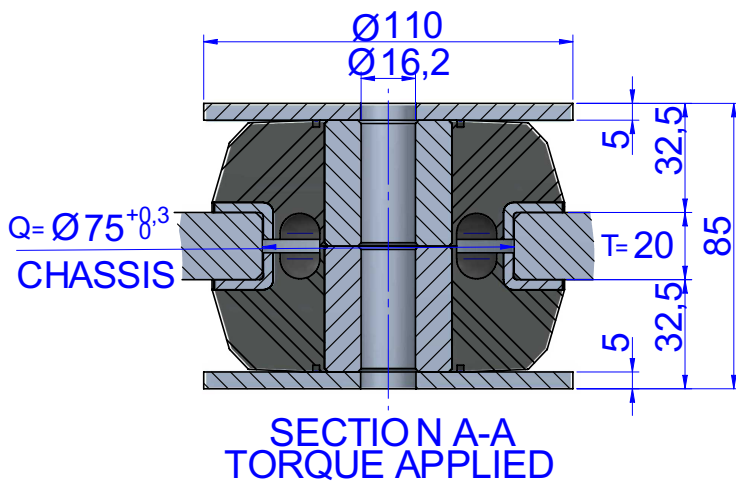
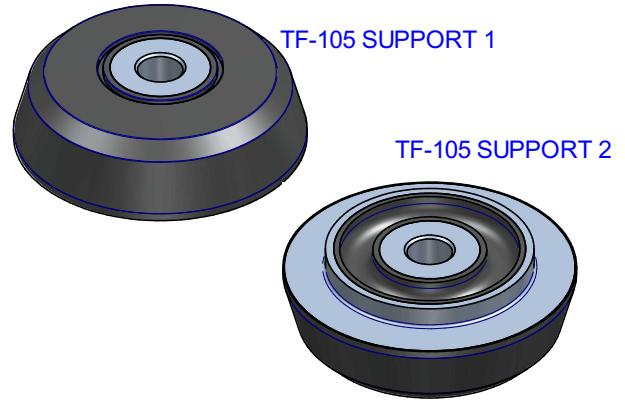
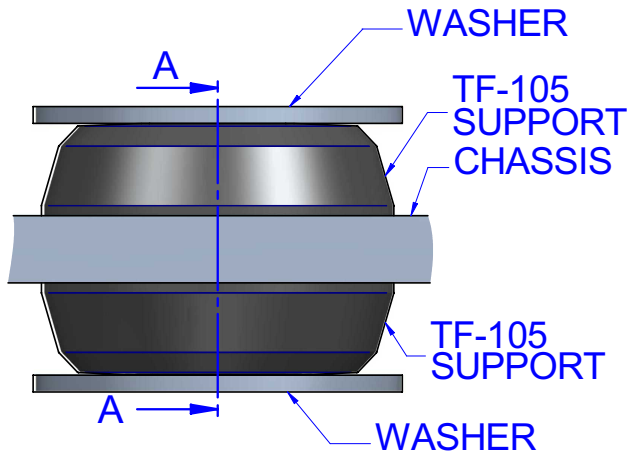
DRAWINGS



DIMENSIONS

Type	T Min. (mm)	Q (mm)	Weight (g)	Washer	Bolt Size (Metric)	Bolt Size (Imperial)	Max. Load (kg)	Shore	Code
TF 100	25	56	500	606484	M24	7/8"	190	40 Sh	137365
							280	50 Sh	137366
							390	60 Sh	137363
							800	70 Sh	137364

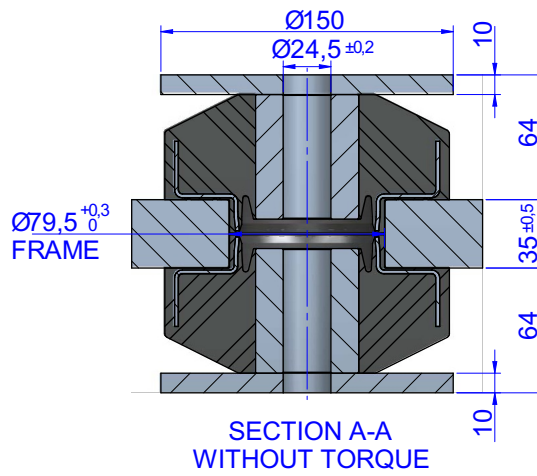
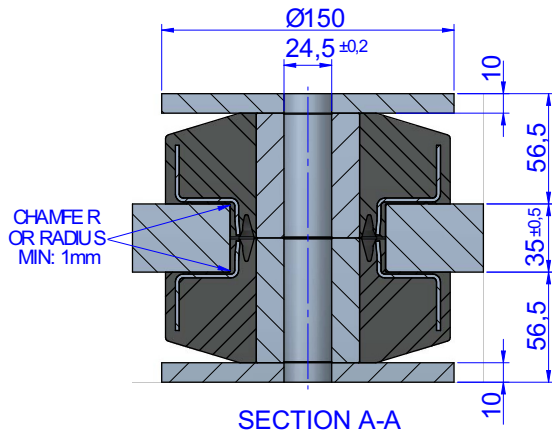
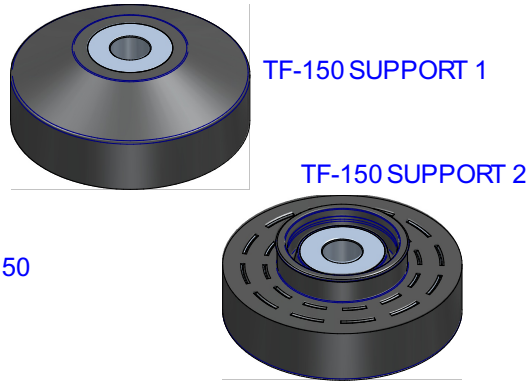
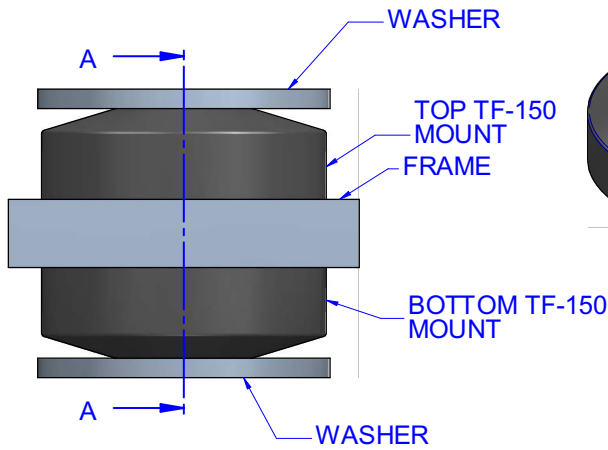
DRAWINGS



DIMENSIONS

Type	T Min. (mm)	Q (mm)	Weight (g)	Washer	Bolt Size (Metric)	Bolt Size (Imperial)	Max. Load (kg)	Shore	Code
TF 105	20	75	580	611167	M16	5/8"	160	40 Sh	137381
							200	50 Sh	137382
							275	60 Sh	137383
							360	70 Sh	137384

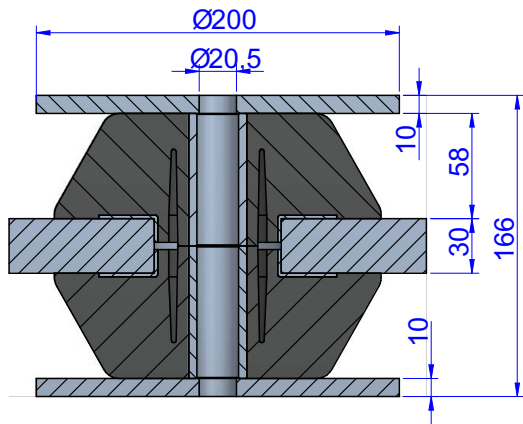
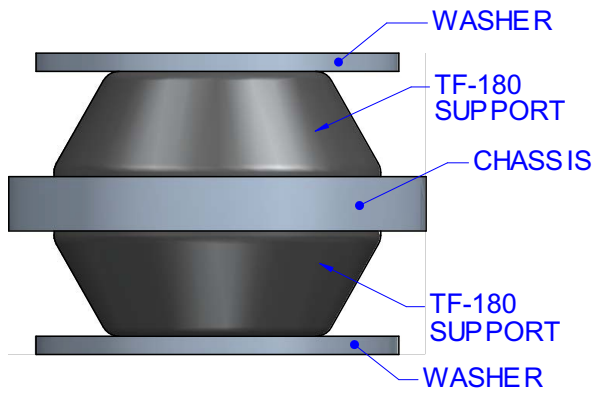
DRAWINGS



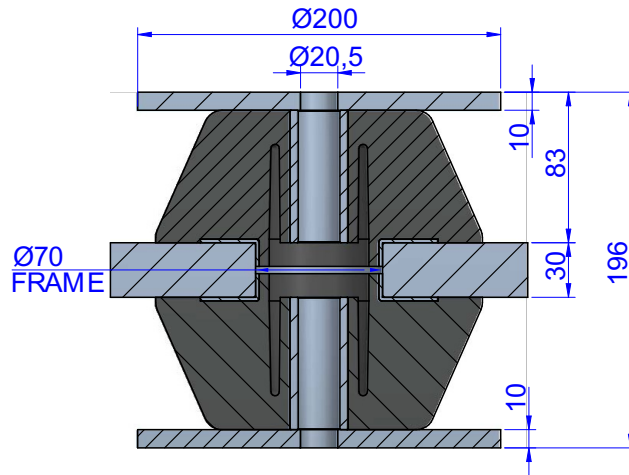
DIMENSIONS

Type	T Min. (mm)	Q (mm)	Weight (gr)	Washer	Bolt Size (Metric)	Bolt Size (Imperial)	Max. Load (kg)	Shore	Code
TF 150	35	79,5	510	610379	M24	1"	2000	40 Sh	137445
							2500	50 Sh	137446
							3000	60 Sh	137447
							4000	70 Sh	137448

DRAWINGS



INSTALLATION WITH
ASSEMBLY TORQUE



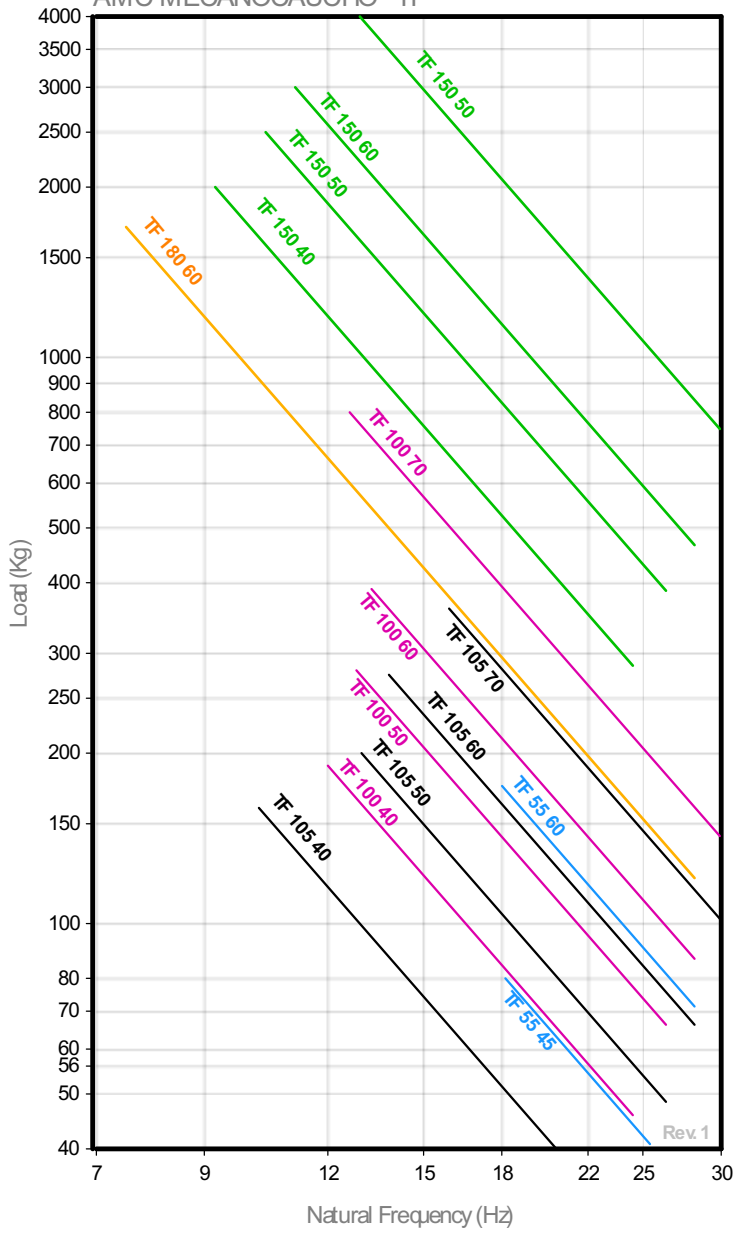
SECTION A-A
ASSEMBLY WITHOUT PRELOAD

DIMENSIONS

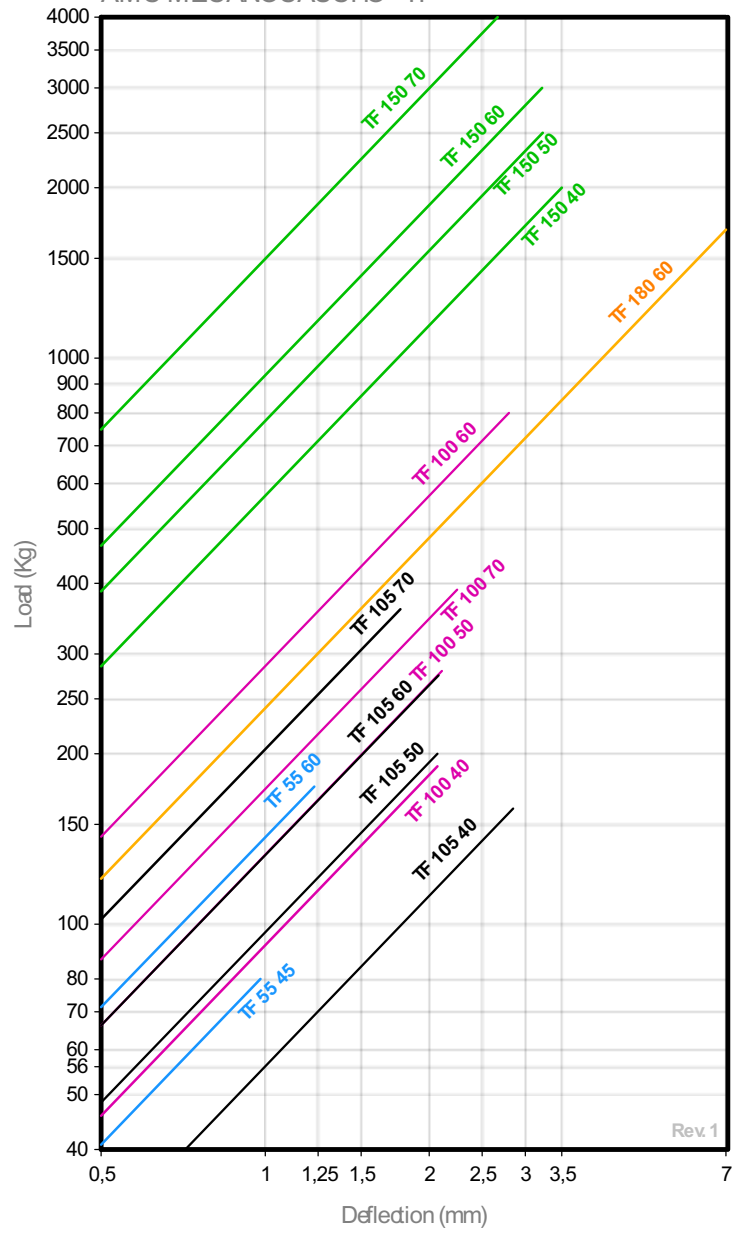
Type	T Min. (mm)	Q (mm)	Weight (gr)	Washer	Bolt Size (Metric)	Bolt Size (Imperial)	Max. Load (kg)	Shore	Code
TF 180	30	70	1656	-	M20	3/4"	1700	60 Sh	138151

Elastical properties

NATURAL FREQUENCY GRAPHS
AMC MECANOCAUCHO® TF



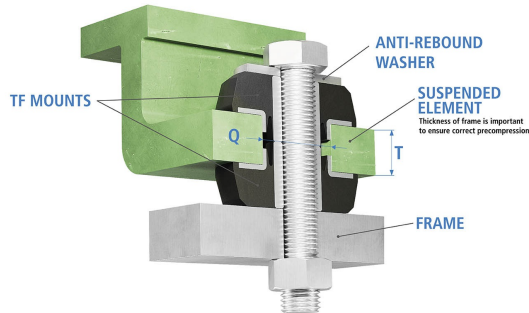
LOAD DEFLECTION GRAPHS
AMC MECANOCAUCHO® TF



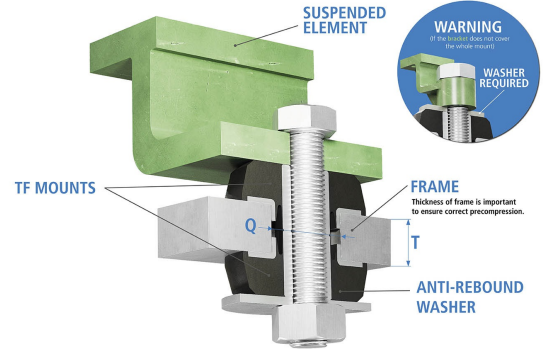
OPERATION AND ASSEMBLY



**INSTALLATION
OPTION 1**



**INSTALLATION
OPTION 2**



The TF mounts must be installed according to the following installation instructions:

They can be installed in frames of different thicknesses according to the values of T, given in the table below. The load vs. deformation curves will vary depending on the thickness of the frame on which the mount is installed. This thickness "T" determines the degree of precompression of the mount.

For the correct installation of the mount, it is recommended to make a hole in the frame with diameter Q, given in the table below.

The use of washers is recommended in the event that the support surface does not completely cover the rubber surface.

Respect the tightening torque of the mount.

In case of any doubt, contact the technical department.