

# SX TYPE



The SX-type AMC Mekanocaucho® mounts are used in cases where light or heavy machines are not fixed to the floor or ground. The height adjustment system can be used to adjust the machines to the required level, thus insulating areas nearby from vibrations and reducing noise. The AMC-Mekanocaucho® type SX comes with a tilting system accomodating uneven surfaces.

## TECHNICAL CHARACTERISTICS

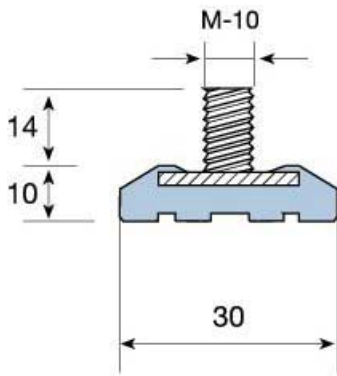
The elastomer used is a mixture of oil-resistant synthetic Nitrile Butadyene Rubber (NBR).

## APPLICATIONS

Levelling machine mounts



DRAWINGS



DIMENSIONS

Type	Shore	Load (kg)	Weight (gr.)	Code
SX Type	50 Sh	10-25	25	145001

## OPERATION AND ASSEMBLY



Height is adjusted by means of a screw, once the machine has been assembled. The wide contact between the base of the machine guarantees good overall stability.

Lift the machine and insert the mount under it. Insert and turn the screw manually until it can be wound into the thread in the mount . Adjust the height of the machine by turning the screw. When the machine is level , lock the mounts using the checknuts.

