

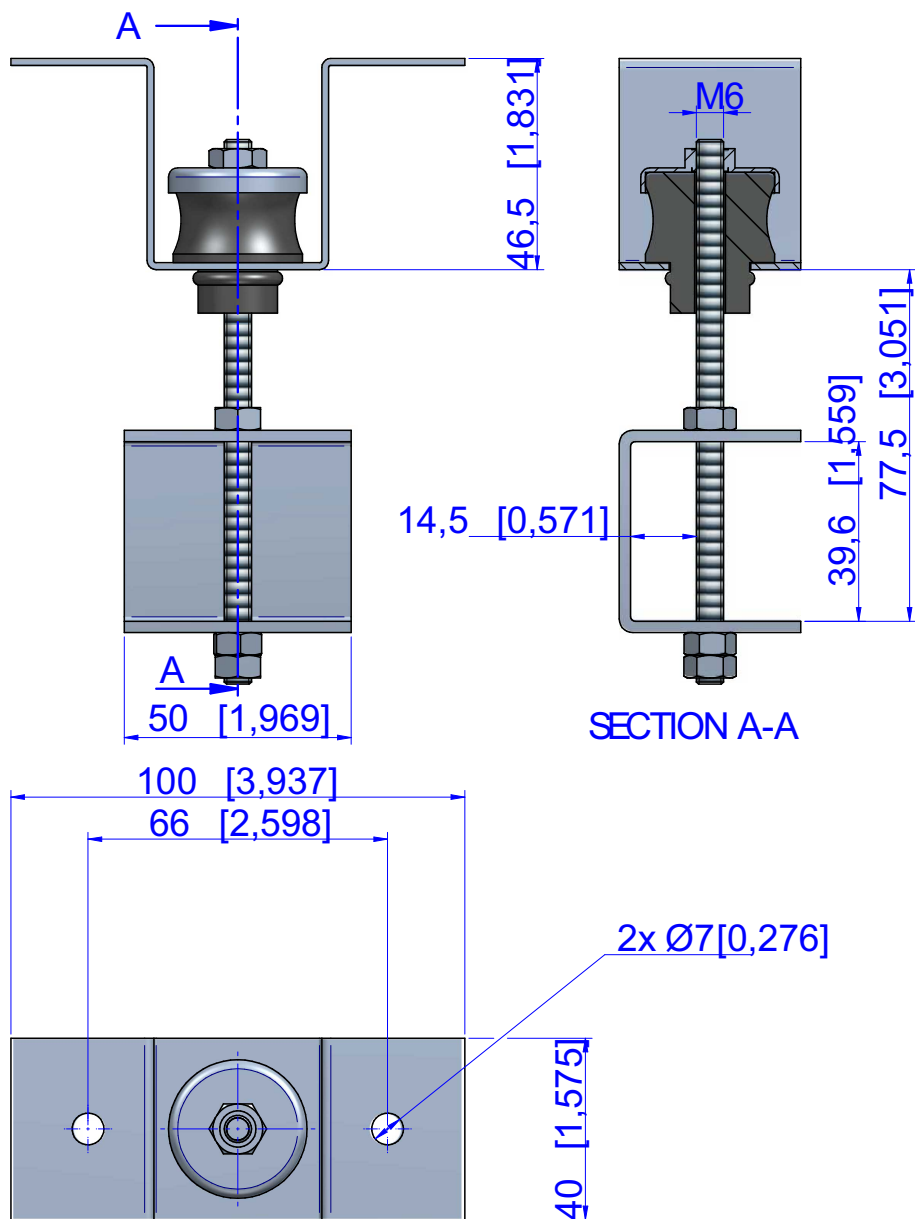
# CEILING MOUNTS AKUSTIK 1 CEILING HANGER



Range designed for suspension of suspended acoustic ceilings and machinery operating at more than 1.000 r.p.m. The same vibration damping element which is used throughout the Akustik range is made of rubber of high mechanical performance; it is specially designed for vibration damping. The metallic structure is designed to resist loads up to 650 kg. It is supplied with an anti-corrosive zinc-plated coat.



DRAWINGS

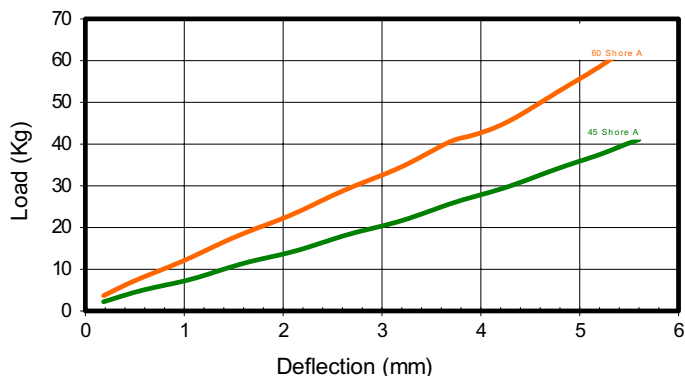


DIMENSIONS

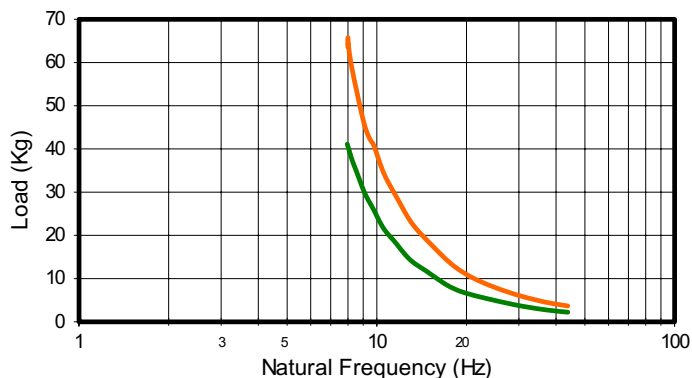
| Type                  | LOAD<br>lbs MAX | Code  |
|-----------------------|-----------------|-------|
| Akustik 1 A-45 Type C | 66              | 25547 |
| Akustik 1 B-60 Type C | 132             | 25548 |
| Akustik 1 A-45 Type D | 66              | 23014 |
| Akustik 1 B-60 Type D | 132             | 23015 |

## Elastical properties

Load Deflection Graph



Natural Frequency Graph



Isolation % and attenuation in dB

