

Anti vibration  
mounts

## 2V-SH



This range of mounts comprises:

A spring high elasticity and very low natural frequency

An incorporated levelling system

A non-slip rubber base

A spare Sylomer to isolate mid and high frequencies comes standard

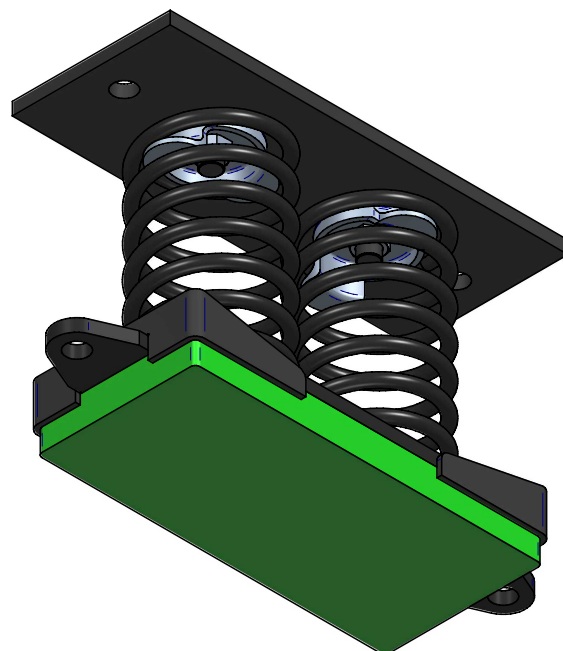
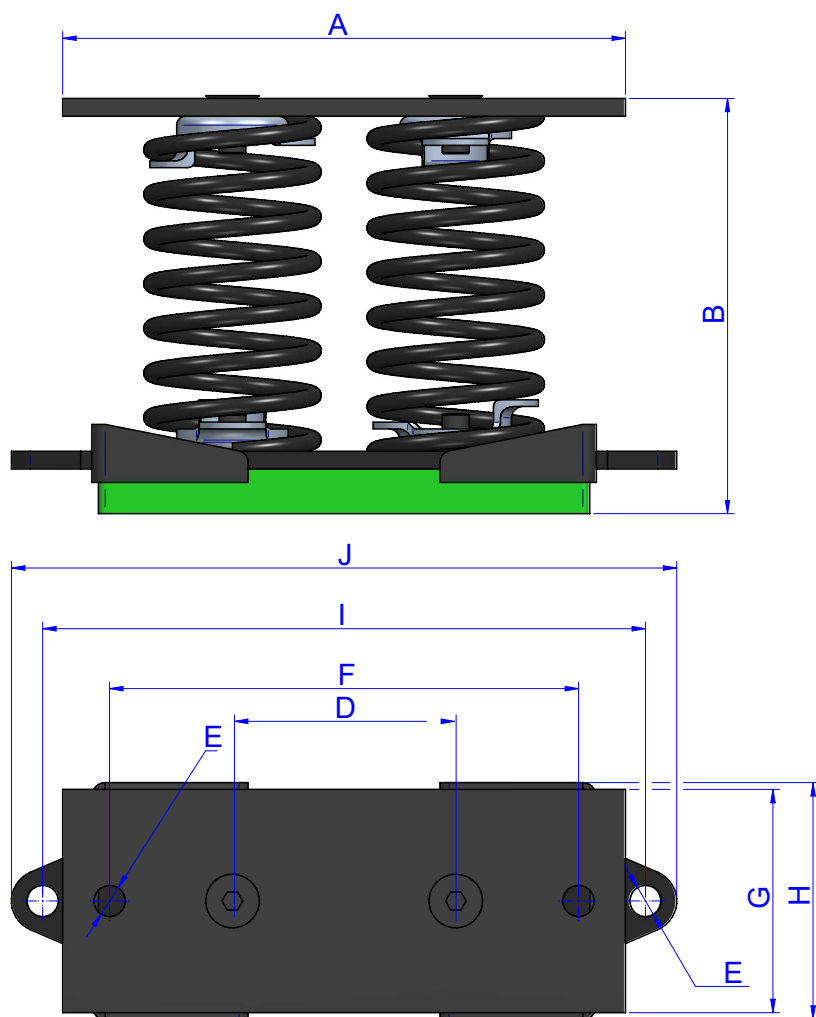
### TECHNICAL CHARACTERISTICS

The mounts are able to reach low natural frequencies from 2 to 5 Hz. The spring combined with sylomer® is able to provide high isolation at low and medium frequencies.

The curves are showing the deflection and natural frequencies according to the load of the spring. Temperature working range from -30 to 70°. Short term higher temperatures are possible.



DRAWINGS

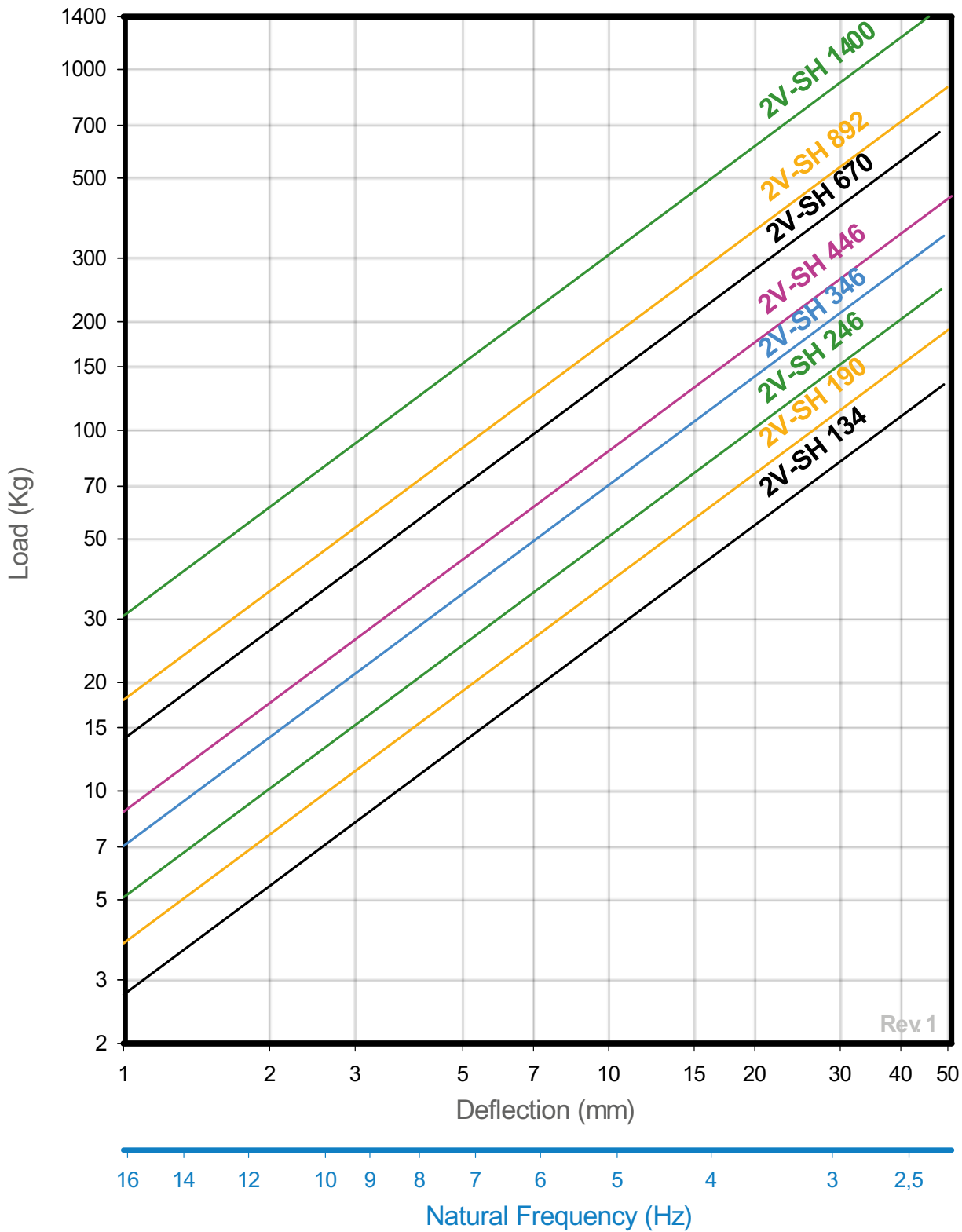


DIMENSIONS

Type	Spring color	A (mm)	B (mm)	D (mm)	E (mm)	F (mm)	G (mm)	H (mm)	I (mm)	J (mm)	Load (kg)	Weight (kg)	Code
2V-SH 134	BLUE	250	180	100	14	210	100	106	270	298	134	4,85	20405
2V-SH 190	WHITE	250	180	100	14	210	100	106	270	298	190	4,85	21010
2V-SH 246	BLACK	250	180	100	14	210	100	106	270	298	226	5,25	20406
2V-SH 346	BEIGE	250	180	100	14	210	100	106	270	298	346	4,85	21011
2V-SH 446	RED	250	180	100	14	210	100	106	270	298	446	5,85	20407
2V-SH 670	GREY	250	180	100	14	210	100	106	270	298	670	4,85	21012
2V-SH 892	GREEN	250	180	100	14	210	100	106	270	298	892	6,91	20408
2V-SH 1400	BROWN	250	180	100	14	210	100	106	270	298	1400	7,3	21015

Elastical properties

**LOAD DEFLECTION GRAPH**  
**AMC MECANOCAUCHO® 2V-SH**



Rev 1