

1V-SR ANTI SEISMIC MOUNTS



- A spring with high elasticity and very low natural frequency
- An incorporated levelling system
- A Sylomer pad under the mount base in order to isolate mid-high frequencies comes standard

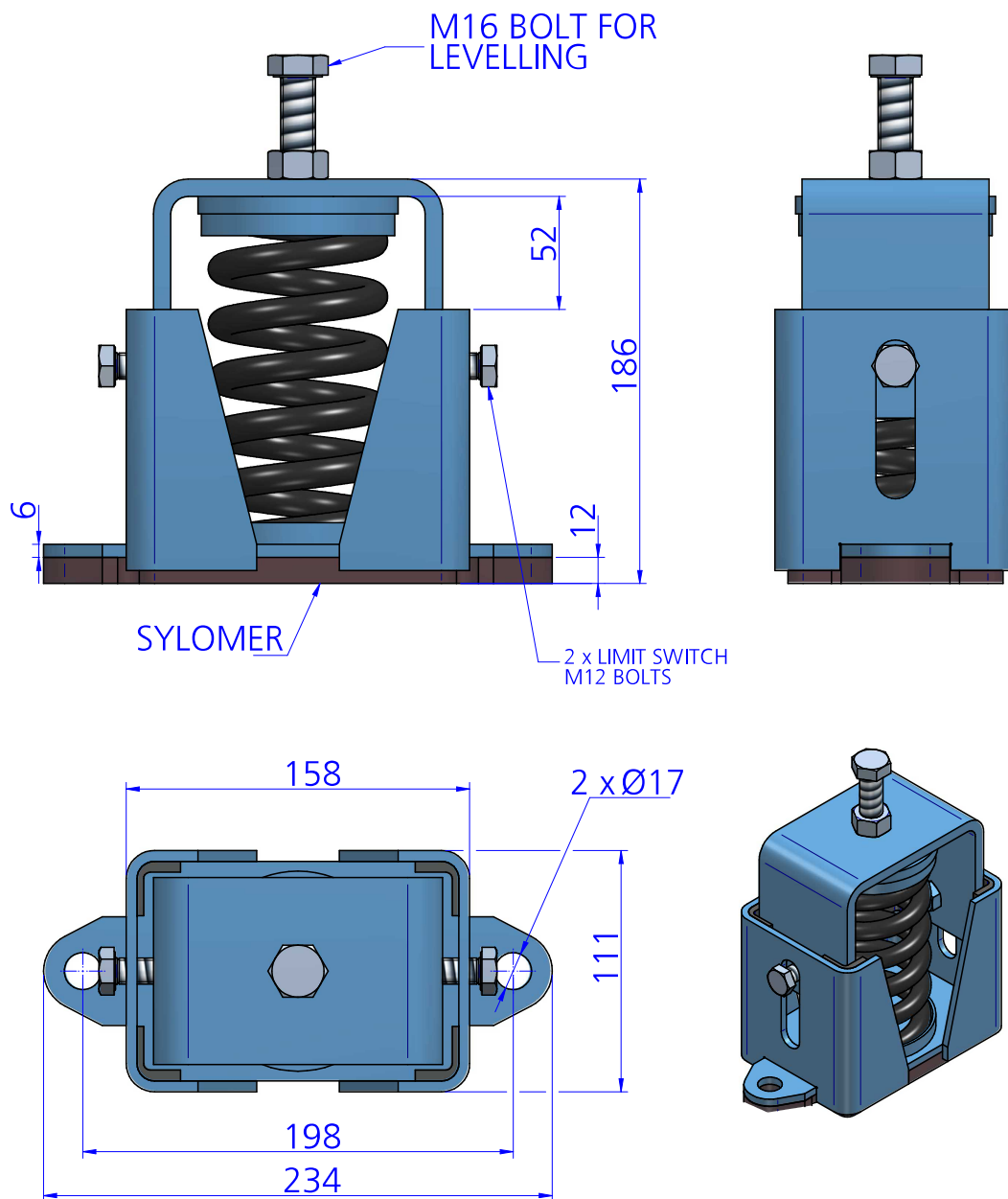
TECHNICAL CHARACTERISTICS

The mounts are able to reach low natural frequencies from 3 to 5 Hz. The spring combined with sylomer® is able to provide high isolation at low and medium frequencies.

The curves are showing the deflection and natural frequencies according to the load of the spring. Temperature working range from -30 to 70°. Short term higher temperatures are possible.



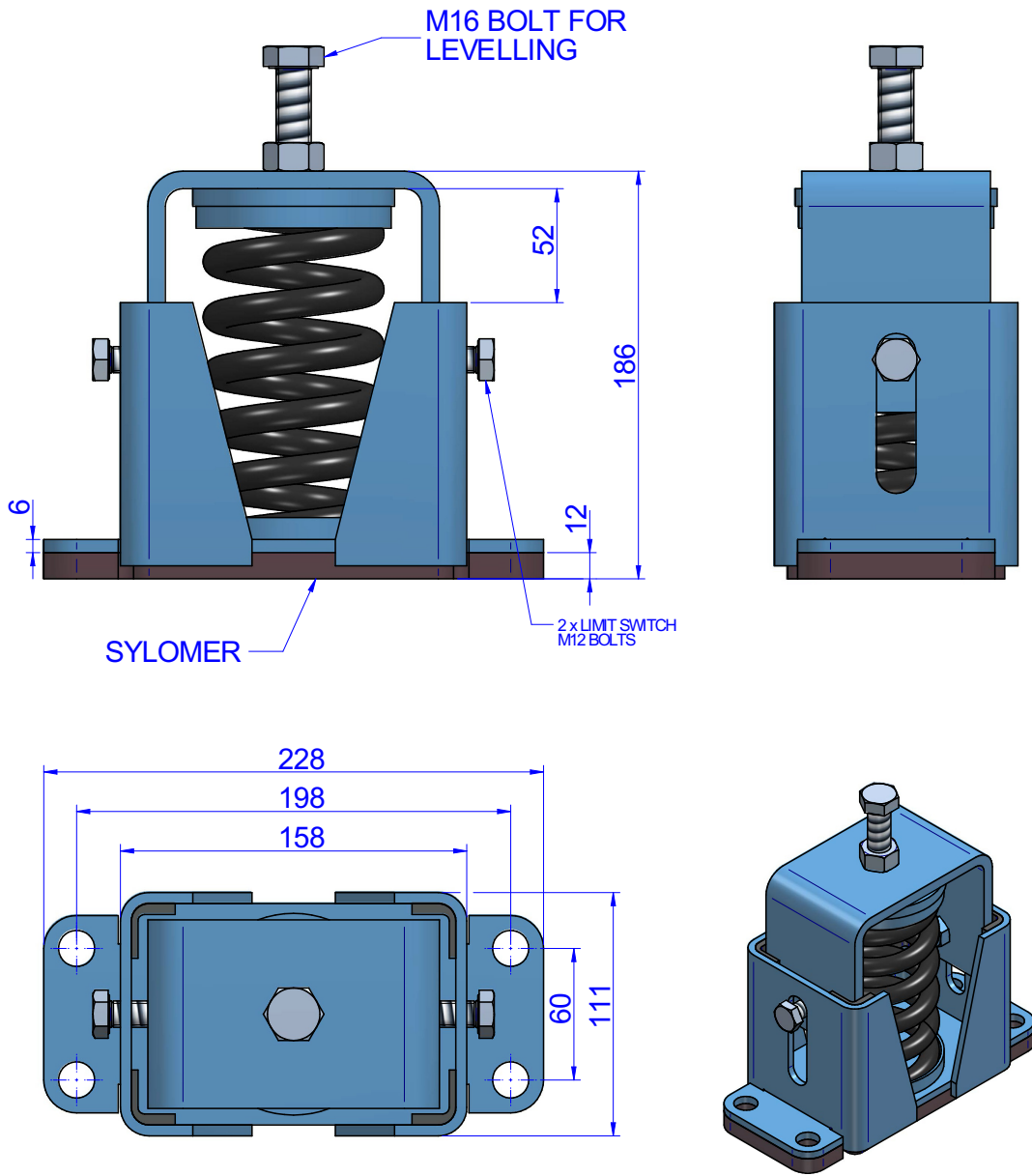
DRAWINGS



DIMENSIONS

Type	Spring color	Max. Load (kg)	Weight (kg)	K (N/mm)	Code
V-SR ANTI SEISMIC + SYLOMER	BLACK	200	5,72	64	21340
	BLACK	400	6	134	21341
	BLACK	650	6,715	181	20502
	BLACK	800	6,74	287	20503
	BLACK	1000	7,045	351	20504
	BLACK	1200	7,119	503	20505

DRAWINGS



DIMENSIONS

Type	Spring color	Max. Load (kg)	Weight (kg)	K (N/mm)	Code
V-SR ANTI SEISMIC + SYLOMER 4 Holes	BLACK	200	0	64	21550
	BLACK	400	0	134	21551
	BLACK	650	0	181	21552
	BLACK	800	0	287	21553
	BLACK	1000	0	351	21554
	BLACK	1200	0	503	21555

Elastical properties

LOAD DEFLECTION GRAPH
AMC MECANOCAUCHO® 1V-SR

