

2V-SR ANTI SEISMIC MOUNTS



- A spring with high elasticity and very low natural frequency
- An incorporated levelling system
- A Sylomer pad under the mount base in order to isolate mid-high frequencies comes standard

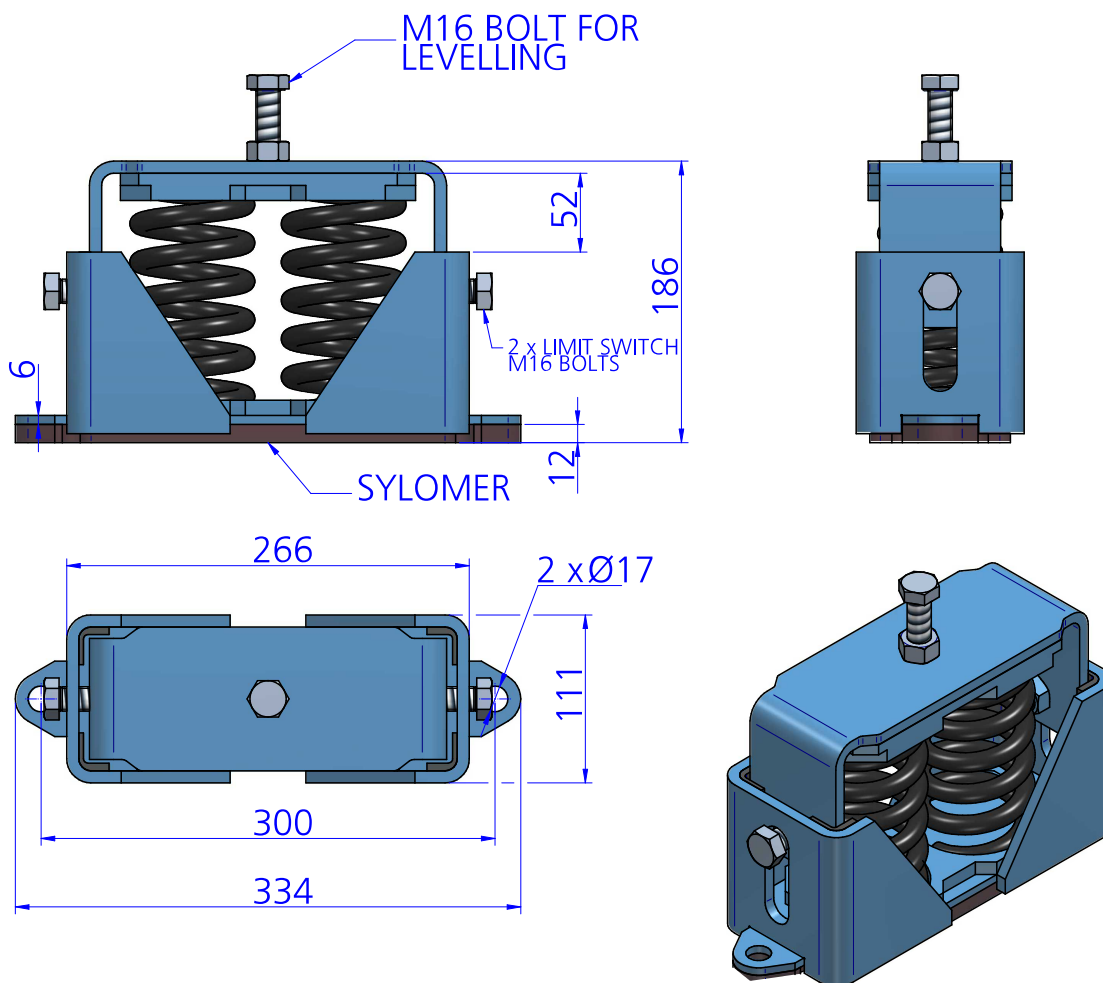
TECHNICAL CHARACTERISTICS

The mounts are able to reach low natural frequencies from 3 to 5 Hz. The spring combined with sylomer® is able to provide high isolation at low and medium frequencies.

The curves are showing the deflection and natural frequencies according to the load of the spring. Temperature working range from -30 to 70°. Short term higher temperatures are possible.



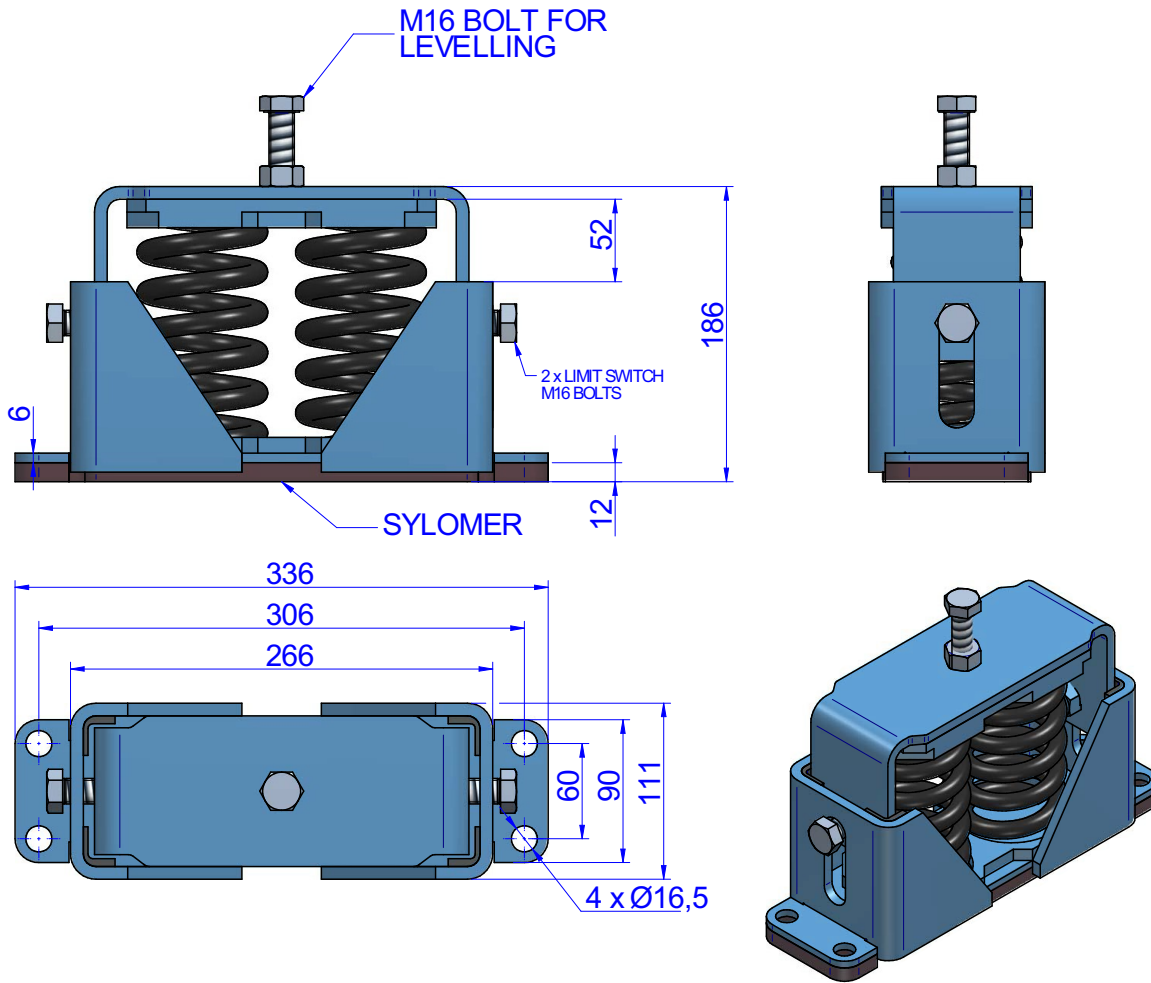
DRAWINGS



DIMENSIONS

Type	Spring color	Max. Load (kg)	Weight (kg)	K (N/mm)	Code
2V-SR ANTI SEISMIC + SYLOMER	BLACK	400	0	128	21342
	BLACK	800	10,85	267	21343
	BLACK	1300	12,335	362	20506
	BLACK	1600	12,385	575	20507
	BLACK	2000	12,995	702	20508
	BLACK	2400	13,143	1007	20509

DRAWINGS

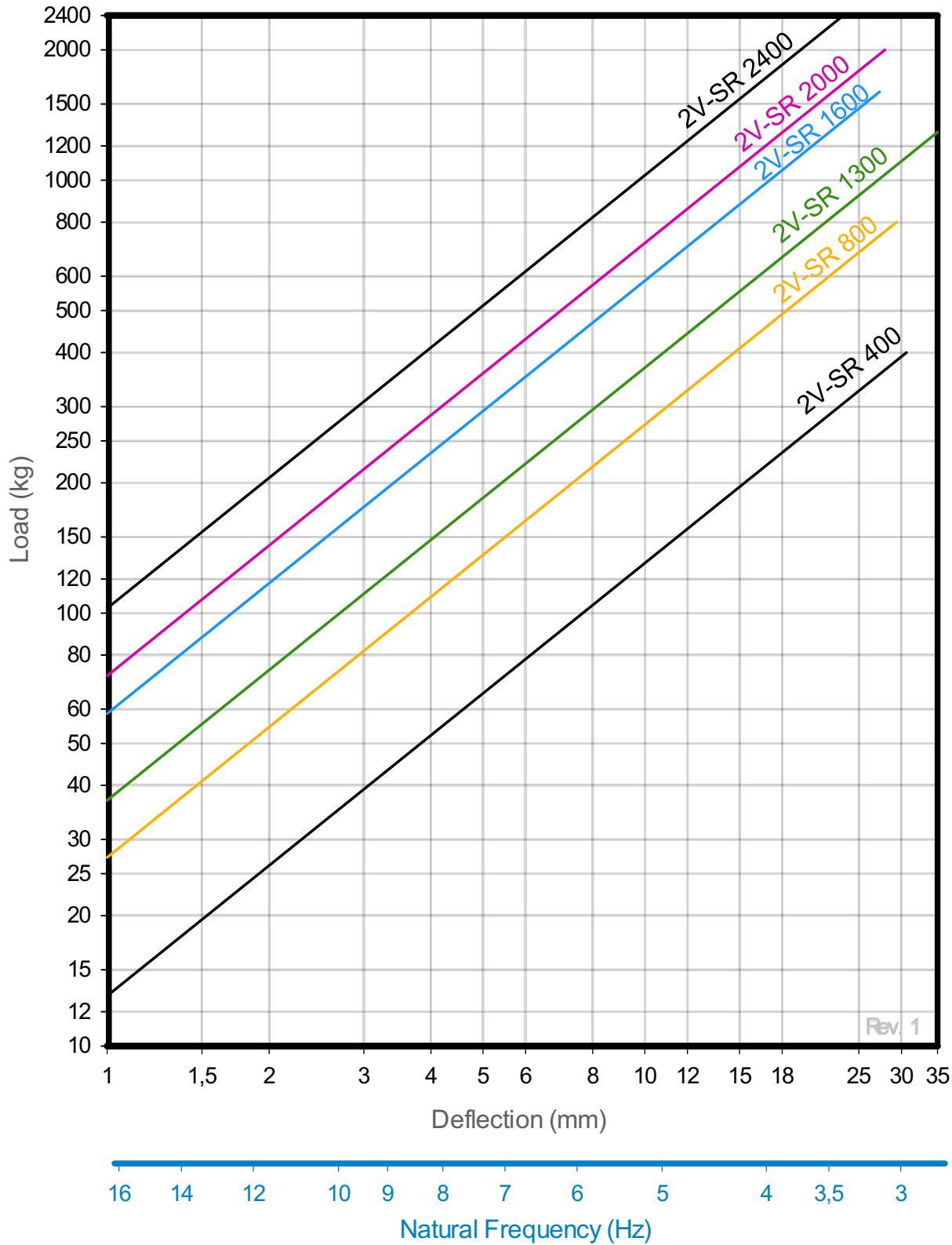


DIMENSIONS

Type	Spring color	Max. Load (kg)	Weight (kg)	K (N/mm)	Code
2V-SR ANTI SEISMIC + SYLOMER 4 Holes	BLACK	400	0	128	21556
	BLACK	800	0	267	21557
	BLACK	1300	0	362	21558
	BLACK	1600	0	575	21559
	BLACK	2000	0	702	21560
	BLACK	2400	0	1007	21561

Elastical properties

**LOAD DEFLECTION GRAPHS
AMC MECANOCAUCHO® 2V-SR**



Rev. 1