

4V-SR ANTI SEISMIC MOUNTS



- A spring with high elasticity and very low natural frequency
- An incorporated levelling system
- A Sylomer pad under the mount base in order to isolate mid-high frequencies comes standard

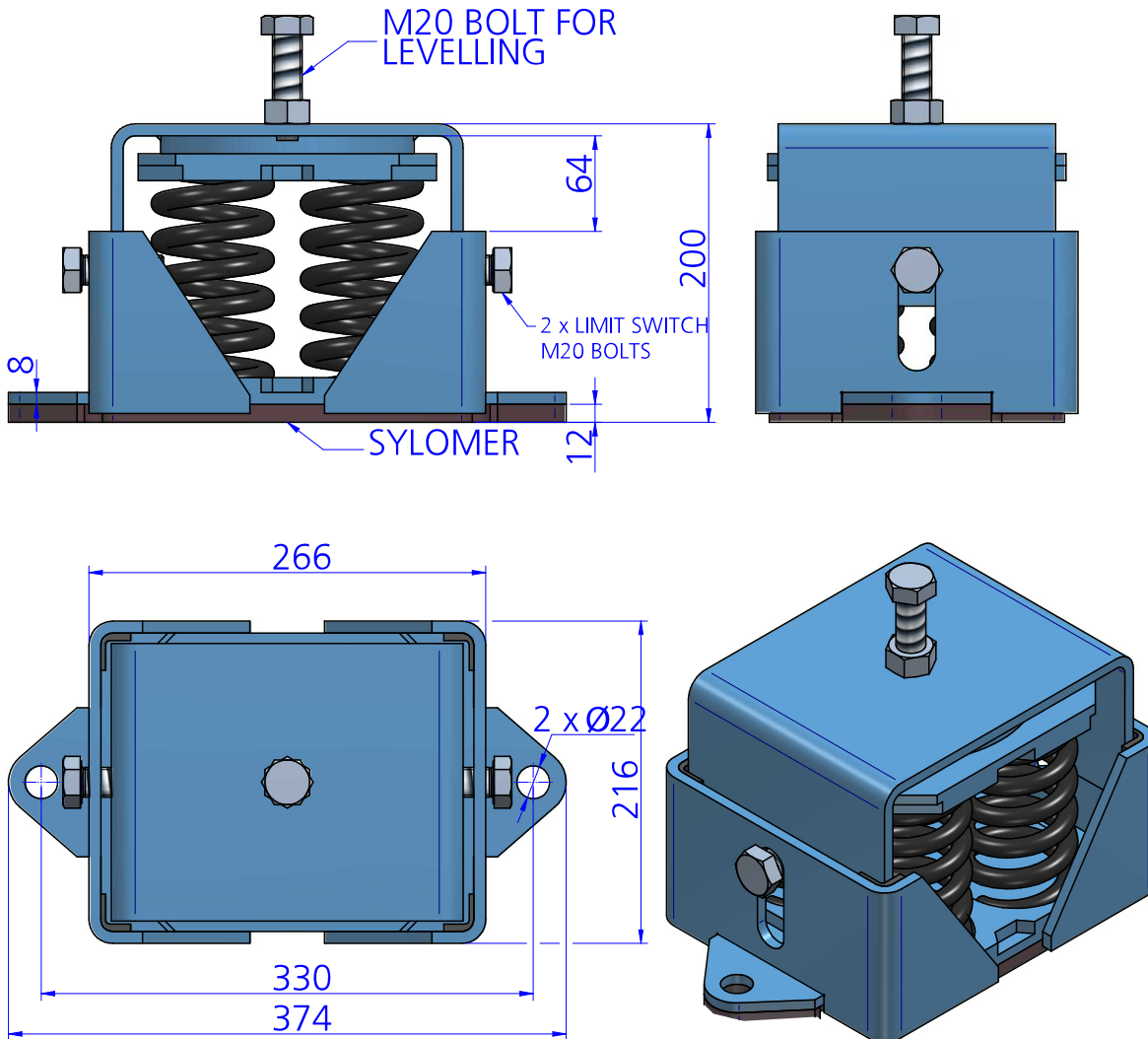
TECHNICAL CHARACTERISTICS

The mounts are able to reach low natural frequencies from 3 to 5 Hz. The spring combined with sylomer® is able to provide high isolation at low and medium frequencies.

The curves are showing the deflection and natural frequencies according to the load of the spring. Temperature working range from -30 to 70°. Short term higher temperatures are possible.



DRAWINGS



DIMENSIONS

| Type | Spring color | Load (kg) | Weight (kg) | K N/mm | Code |
|-----------------------------------|--------------|-----------|-------------|--------|-------|
| 4V-SR-800 ANTI SEISMIC + SYLOMER | BLACK | 800 | 23,4 | 256 | 21344 |
| 4V-SR-1600 ANTI SEISMIC + SYLOMER | BLACK | 1600 | 24,5 | 535 | 21345 |
| 4V-SR-2600 ANTI SEISMIC + SYLOMER | BLACK | 2600 | 23,733 | 724 | 21141 |
| 4V-SR-3200 ANTI SEISMIC + SYLOMER | BLACK | 3200 | 23,833 | 1150 | 21142 |
| 4V-SR-4000 ANTI SEISMIC + SYLOMER | BLACK | 4000 | 27,66 | 1404 | 21143 |
| 4V-SR-4800 ANTI SEISMIC + SYLOMER | BLACK | 4800 | 25,349 | 2013 | 21144 |

Elastical properties

LOAD DEFLECTION GRAPH
AMC MECANOCAUCHO® 4V-SR

