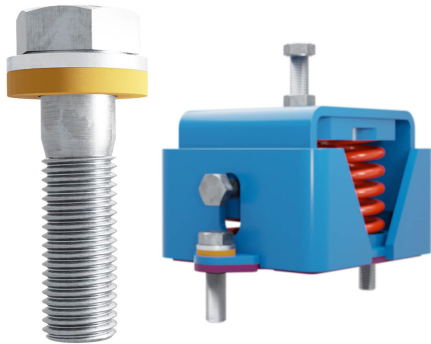


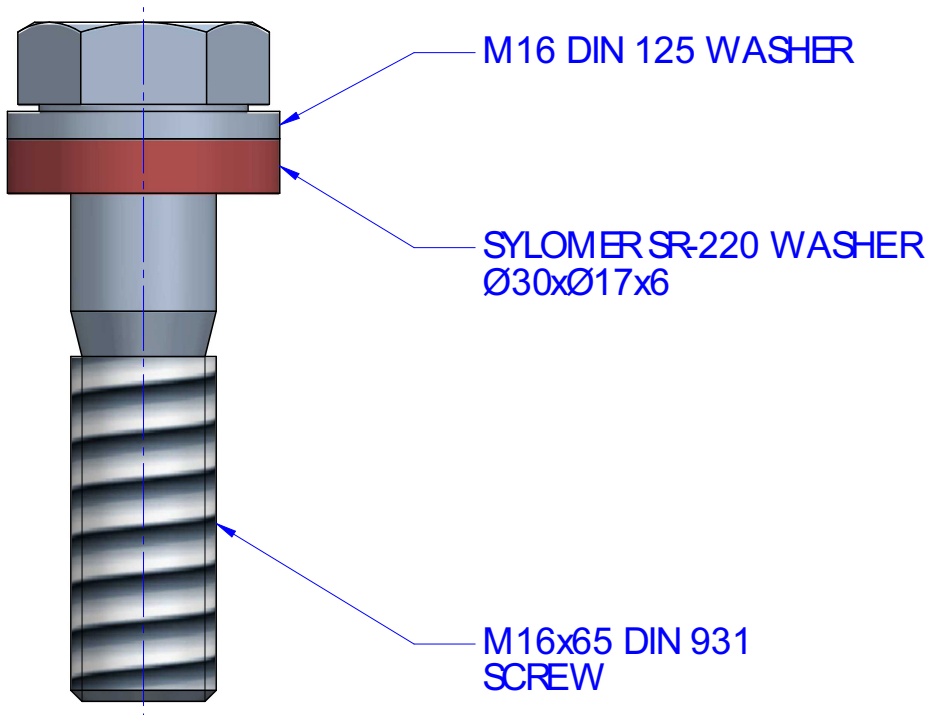
ANTI-SEISMIC ELASTIC FIXATION KIT



The thickness of the washer depends on the application.
Please contact us, if you have any question.



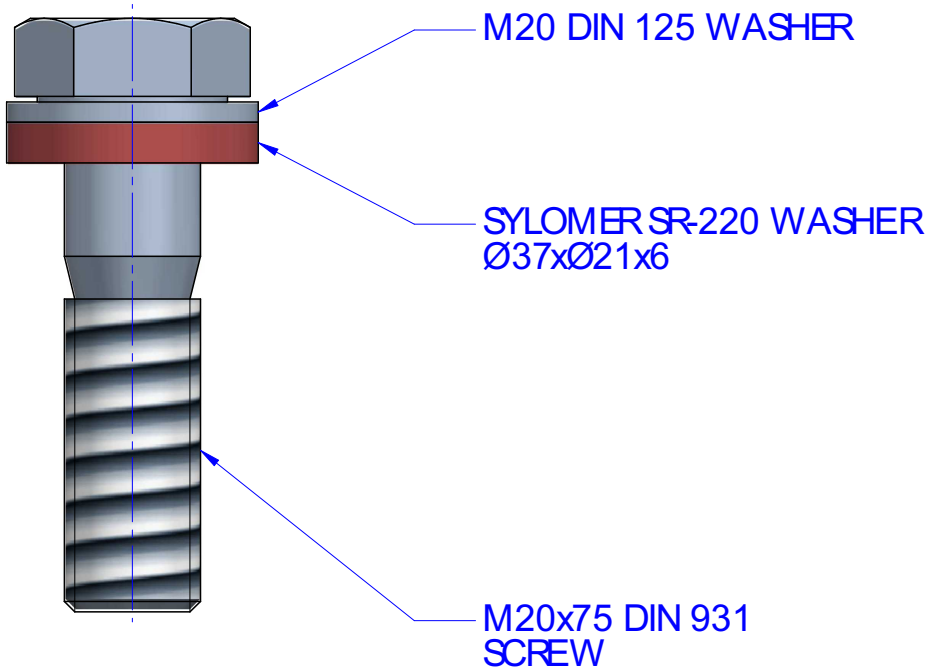
DRAWINGS



DIMENSIONS

Type	Code
1V-SR-SH/2V-SR-SH	708095

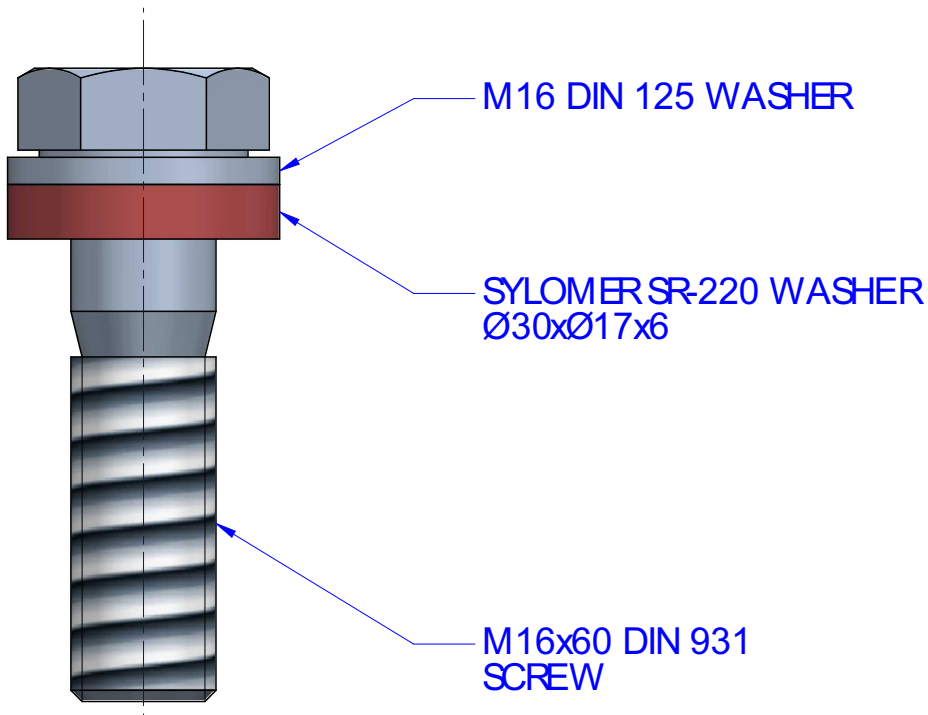
DRAWINGS



DIMENSIONS

Type	Code
4/6/9V-SR-SH	708096

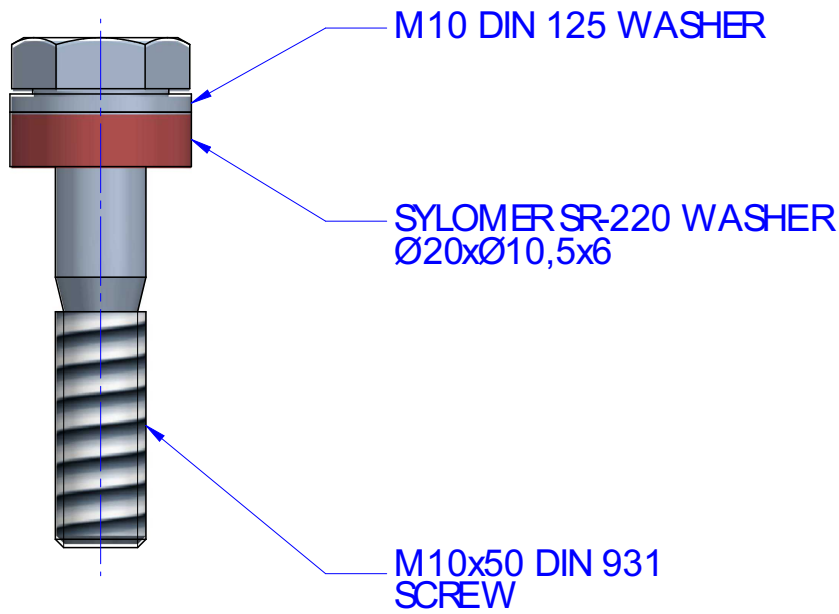
DRAWINGS



DIMENSIONS

Type	Code
AMC ANTI-SEISMIC	708097

DRAWINGS



DIMENSIONS

Type	Code
ANTI-SEISMIC MINI	708098