

1V-SR DB



This range of mounts comprises:

- A spring high elasticity and very low natural frequency
- An incorporated levelling system
- A non-slip rubber base
- A spare Sylomer to isolate mid and high frequencies comes standard

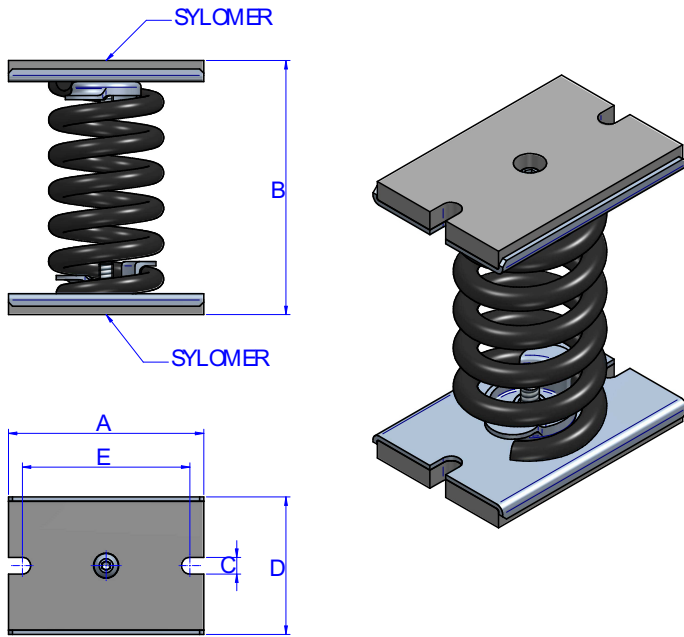
TECHNICAL CHARACTERISTICS

The mounts are able to reach low natural frequencies from 3 to 5 Hz. The spring combined with sylomer® is able to provide high isolation at low and medium frequencies.

The curves are showing the deflection and natural frequencies according to the load of the spring. Temperature working range from -30 to 70°. Short term higher temperatures are possible.



DRAWINGS



DIMENSIONS

Type	Spring color	A (mm)	B (mm)	C (mm)	D (mm)	E (mm)	Max. Load (kg)	Weight (kg)	Code
V-SR-200-DB	BLACK	140	182	12	98,5	120	200	2,449	20557
V-SR-400-DB	BLACK	140	182	12	98,5	120	400	2,449	20558
V-SR-650-DB	BLACK	140	182	12	98,5	120	650	2,449	20403
V-SR-800-DB	BLACK	140	182	12	98,5	120	800	2,449	20458
V-SR-1000-DB	BLACK	140	182	12	98,5	120	1000	2,449	20662
V-SR-1200-DB	BLACK	140	182	12	98,5	120	1200	2,449	20559

Elastical properties

**LOAD DEFLECTION CURVE
VIBRABSORBER V-S R**

