

Anti vibration
mounts

1V-SR



This range of mounts comprises:

- A spring high elasticity and very low natural frequency
- An incorporated levelling system
- A non-slip rubber base
- A spare Sylomer to isolate mid and high frequencies comes standard

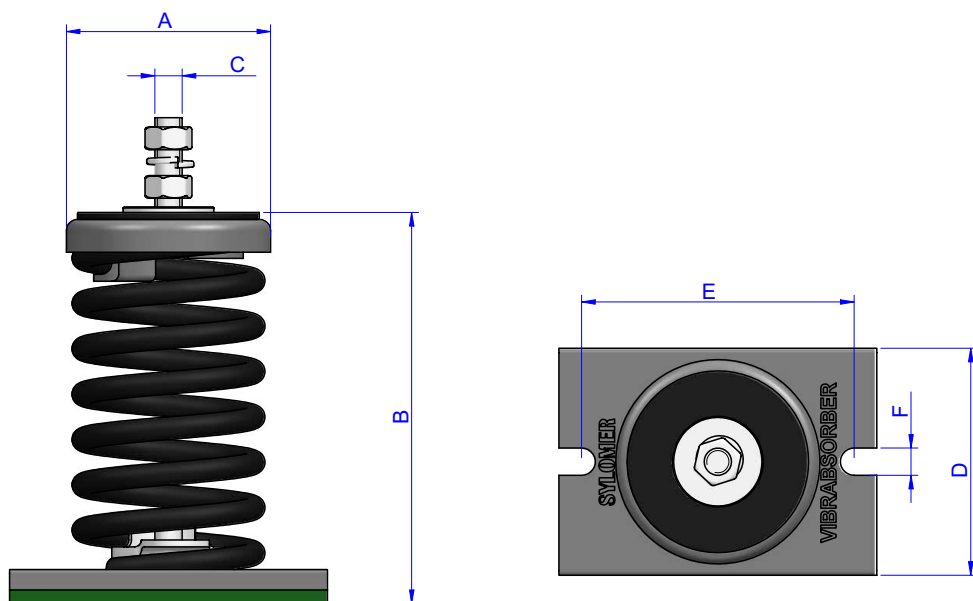
TECHNICAL CHARACTERISTICS

The mounts are able to reach low natural frequencies from 3 to 5 Hz. The spring combined with sylomer® is able to provide high isolation at low and medium frequencies.

The curves are showing the deflection and natural frequencies according to the load of the spring. Temperature working range from -30 to 70°. Short term higher temperatures are possible.



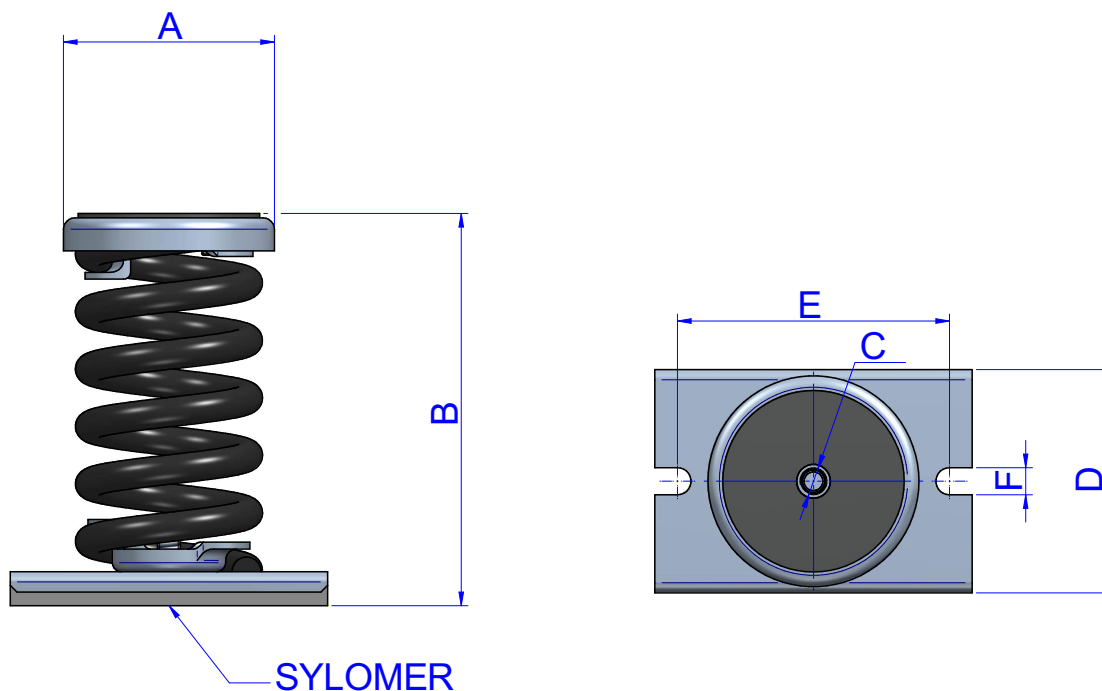
DRAWINGS



DIMENSIONS

Type	Spring color	A (mm)	B (mm)	C (mm)	D (mm)	E (mm)	F (mm)	Max. Load (kg)	Weight (kg)	K (N/mm)	Code
V-SR-200	BLACK	93	173	M12	98,5	120	12	200	1,48	64	21320
V-SR-400	BLACK	93	173	M12	98,5	120	12	400	1,77	134	21321
V-SR-650	BLACK	93	173	M12	98,5	120	12	650	2,57	181	20393
V-SR-800	BLACK	93	173	M12	98,5	120	12	800	2,6	267	20394
V-SR-1000	BLACK	93	173	M12	98,5	120	12	1000	3	351	20395
V-SR-1200	BLACK	93	173	M12	98,5	120	12	1200	3,2	503	20396

DRAWINGS

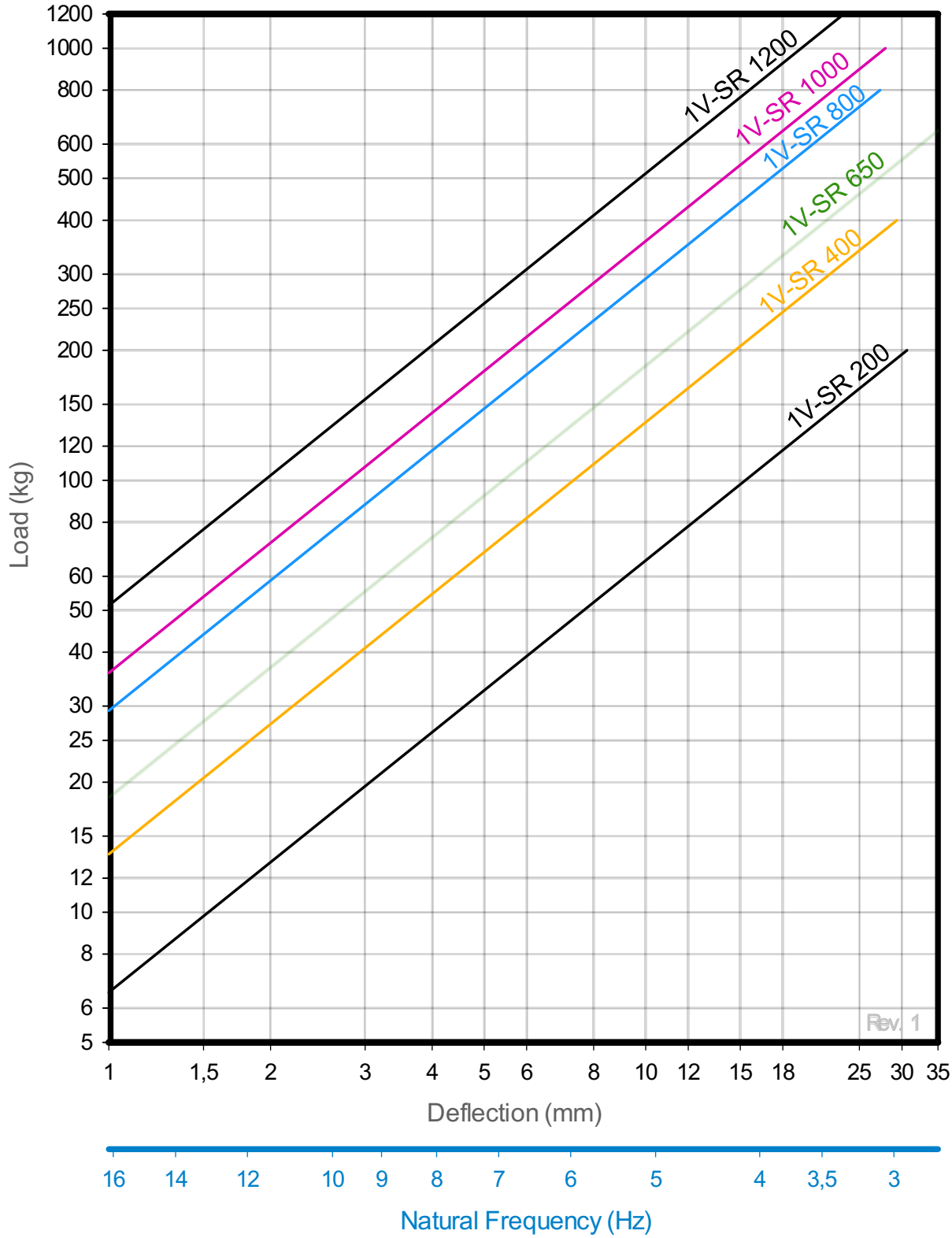


DIMENSIONS

Type	Spring color	A (mm)	B (mm)	C (mm)	D (mm)	E (mm)	F (mm)	Max. Load (kg)	Weight (kg)	K (N/mm)	Code
V-SR 200 WITHOUT-KIT	BLACK	93	173	M12	98,5	120	12	200	1,343	64	21211
V-SR 400 WITHOUT-KIT	BLACK	93	173	M12	98,5	120	12	400	1,545	134	21212
V-SR 650 WITHOUT-KIT	BLACK	93	173	M12	98,5	120	12	650	2,57	181	21213
V-SR 800 WITHOUT-KIT	BLACK	93	173	M12	98,5	120	12	800	2,69	267	21214
V-SR 1000 WITHOUT-KIT	BLACK	93	173	M12	98,5	120	12	1000	2,94	351	21215
V-SR 1200 WITHOUT-KIT	BLACK	93	173	M12	98,5	120	12	1200	3	503	21216

Elastical properties

LOAD DEFLECTION GRAPH
AMC MECANOCAUCHO® 1V-SR



Rev. 1