

# FZ SYLOMER® ANTI VIBRATION MOUNTS



The AMC MECANOCAUCHO® FZ mounts use high resiliency Sylomer® polyurethane compounds. The internal architecture of the mount is composed of two metal parts surrounded by the elastic compound. The exterior metallic armor incorporates 4 holes for the fixation of the mount to the frame. The interior metal part consists of a machined metal ring that transfers the traction and compression loads to the elastomer. This machined metal ring has a wider diameter than the exterior metal armor acting as a failsafe device. The Sylomer® polyurethane compound is oil resistant and the temperature range of the FZ mounts is -30°C +70°C.

## TECHNICAL CHARACTERISTICS

- The AMC-MECANOCAUCHO FZ mounts incorporate interlocking metal component that provide a fail-safe protection for mobile applications. This device limits the ascending vertical movement when the mounting is submitted to shocks at traction.
- The thickness of the metal parts are robust and are suitable for off road applications. The metal parts have a suitable anti-corrosive treatment for outdoor applications.
- The Sylomer® polyurethane compound is oil resistant and the temperature range of the FZ mounts is 30 °C +70°C

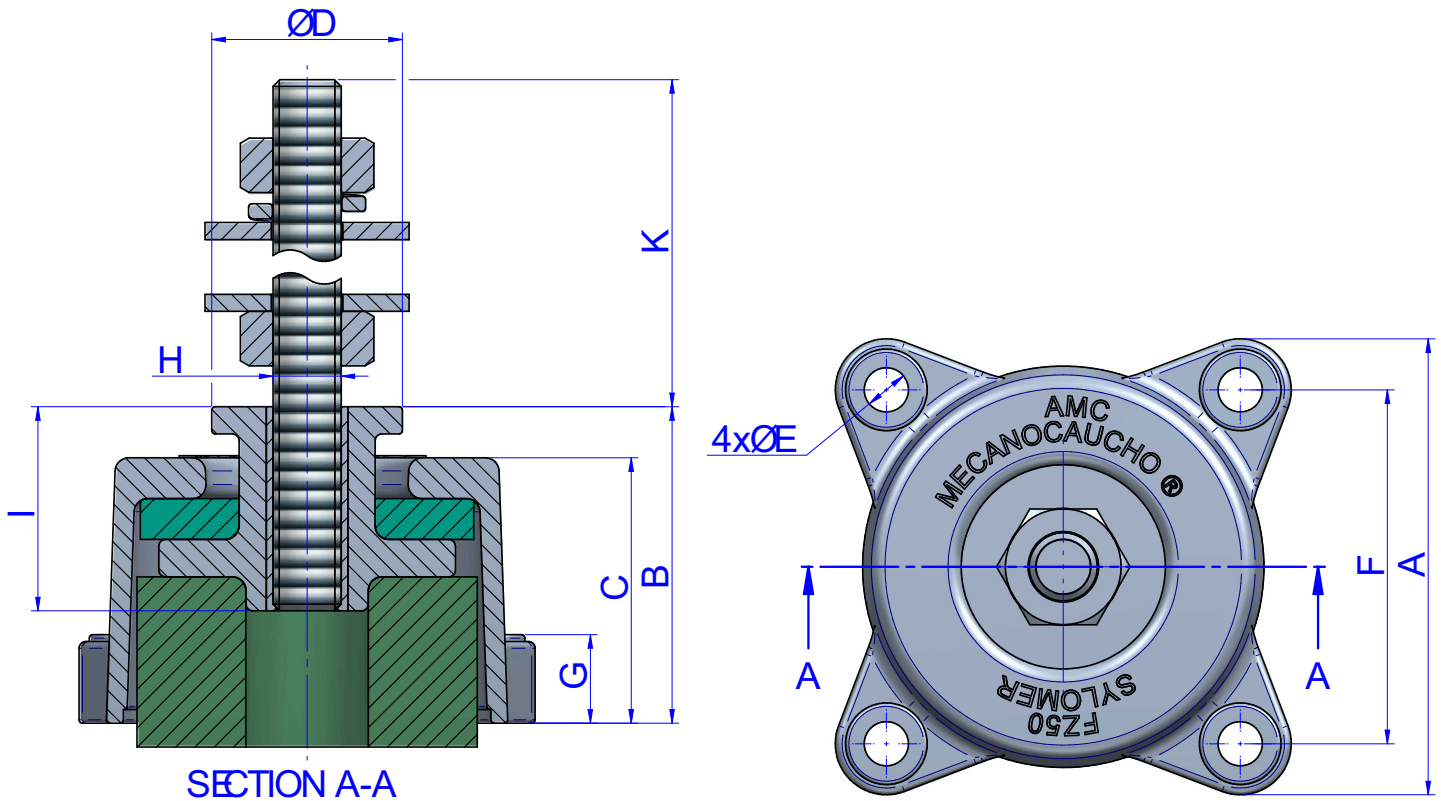
## APPLICATIONS

The AMC-MECANOCAUCHO® FZ mounts have been primarily designed for static applications.

They are often used for the isolation of sensitive equipment embarked on vehicles submitted to shocks



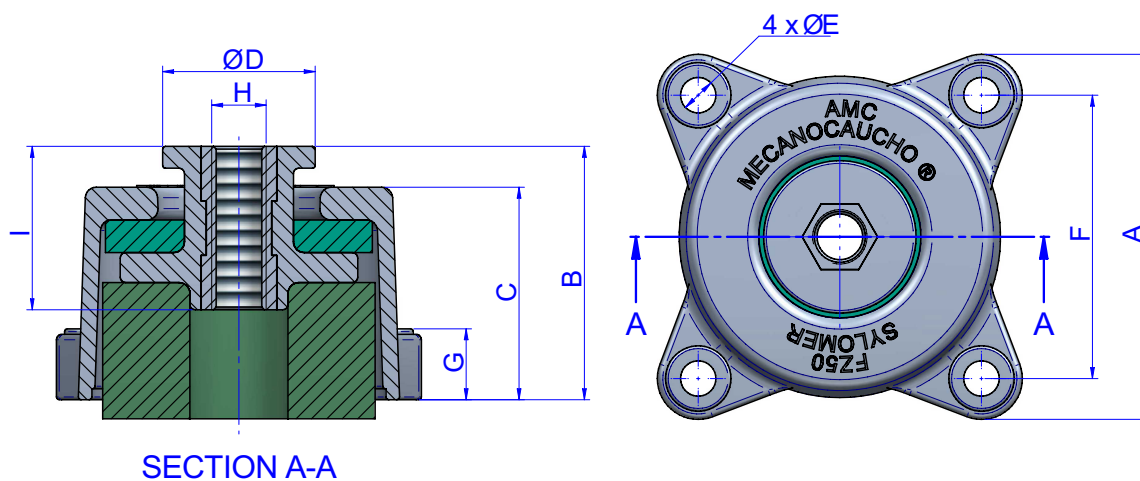
DRAWINGS



DIMENSIONS

Type	A (mm)	B (mm)	C (mm)	D (mm)	E (mm)	F (mm)	G (mm)	H (mm)	I (mm)	K (mm)	Max. Load (kg)	Weight (gr)	Code
FZ-50-27-M10 + LEV KIT	67	46.5	39	28	6.5	52	13	10	26	60	15	311	176293
FZ-50-33-M10 + LEV KIT	67	46.5	39	28	6.5	52	13	10	26	60	25	311	176295
FZ-50-39-M10 + LEV KIT	67	46.5	39	28	6.5	52	13	10	26	60	45	311	176297
FZ-50-45-M10 + LEV KIT	67	46.5	39	28	6.5	52	13	10	26	60	50	311	176281
FZ-50-51-M10 + LEV KIT	67	46.5	39	28	6.5	52	13	10	26	60	50-100	311	176291
FZ-100-45-M12 + LEV KIT	82	56	48	25	6.5	67	13	12	27,5	60	100-150	464	176299
FZ-100-51-M12 + LEV KIT	82	56	48	25	6,5	67	13	12	27,5	60	150-200	464	176301
FZ-200-51-M12 + LEV KIT	109	72	55	40	8,5	90	15	12	27,5	60	170-280	978	176311
FZ-200-57-M12 + LEV KIT	109	72	55	40	8,5	90	15	12	27,5	60	280-400	978	176321
FZ-200-57-M14 + LEV KIT	109	72	55	40	8,5	90	15	14	27,5	60	280-400	978	176323
FZ-400-51-M14 + LEV KIT	155	94	80	65	12,5	125	22	14	27,5	60	460-800	2461	176331
FZ-400-57-M16 + LEV KIT	155	94	80	65	12,5	125	22	16	27,5	60	800-1000	2461	176341
FZ-600-51-M18 + LEV KIT	175	94	80	65	14	140	23	18	28	60	1000-1200	3077	176351
FZ-600-57-M20 + LEV KIT	175	94	80	65	14	140	23	20	28	60	1200-1500	3077	176361
FZ-1000-57-M20 + LEV KIT	205	95	80	65	16	162	28	20	28	60	1500-2000	3751	176371

DRAWINGS



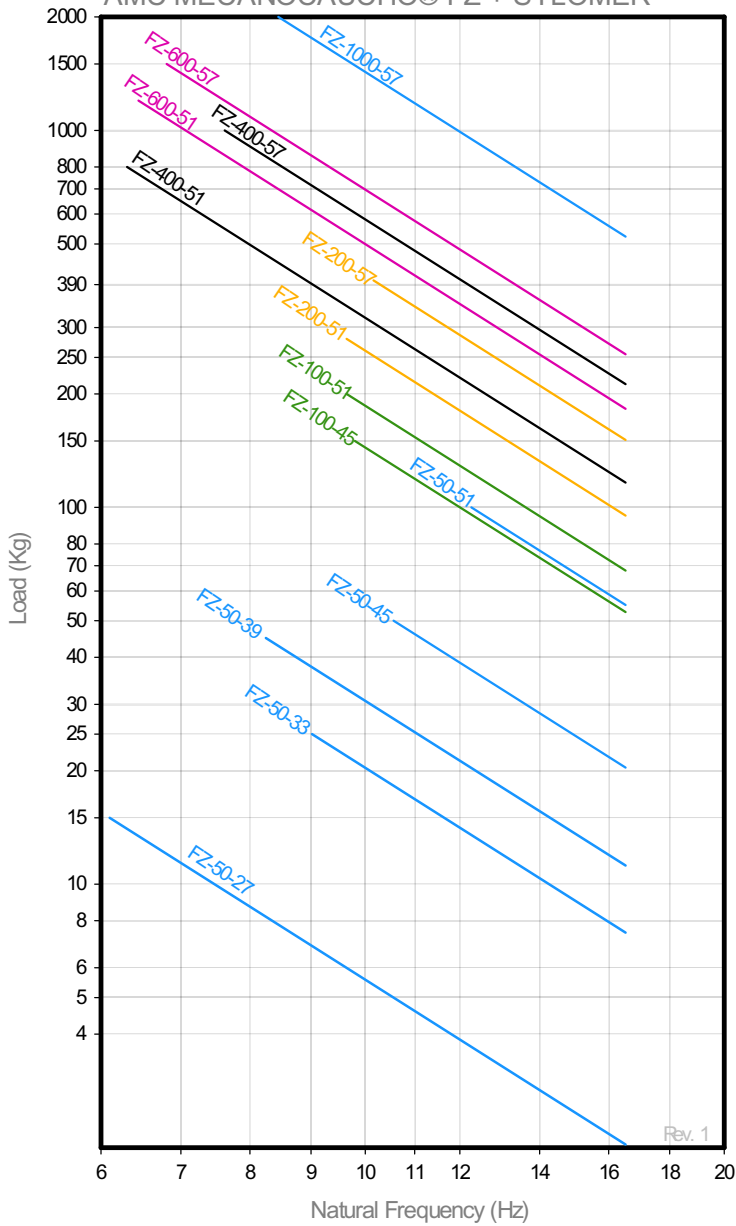
SECTION A-A

DIMENSIONS

Type	A (mm)	B (mm)	C (mm)	D (mm)	E (mm)	F (mm)	G (mm)	H (mm)	I (mm)	K (mm)	Max. Load (kg)	Weight (gr)	Code
FZ-50-27-M10	67	46.5	39	28	6.5	52	13	10	26	-	15	260	176294
FZ-50-33-M10	67	46.5	39	28	6.5	52	13	10	26	-	25	260	176296
FZ-50-39-M10	67	46.5	39	28	6.5	52	13	10	26	-	45	260	176298
FZ-50-45-M10	67	46.5	39	28	6.5	52	13	10	26	-	50	260	176282
FZ-50-51-M10	67	46.5	39	28	6.5	52	13	10	26	-	50-100	260	176292
FZ-100-45-M12	82	56	48	25	6.5	67	13	12	27,5	-	100-150	380	176300
FZ-100-51-M12	82	56	48	25	6,5	67	13	12	27,5	-	150-200	380	176302
FZ-200-51-M12	109	72	55	40	8,5	90	15	12	27,5	-	170-280	868	176312
FZ-200-57-M12	109	72	55	40	8,5	90	15	12	27,5	-	280-400	868	176322
FZ-200-57-M14	109	72	55	40	8,5	90	15	14	27,5	-	280-400	868	176324
FZ-400-51-M14	155	94	80	65	12,5	125	22	14	27,5	-	460-800	2253	176332
FZ-400-57-M16	155	94	80	65	12,5	125	22	16	27,5	-	800-1000	2253	176342
FZ-600-51-M18	175	94	80	65	14	140	23	18	28	-	1000-1200	2756	176352
FZ-600-57-M20	175	94	80	65	14	140	23	20	28	-	1200-1500	2756	176362
FZ-1000-57-M20	205	95	80	65	16	162	28	20	28	-	1500-2000	3348	176372

Elastical properties

NATURAL FREQUENCY  
AMC MECANOCAUCHO® FZ + SYLOMER



LOAD DEFLECTION GRAPH  
AMC MECANOCAUCHO® FZ + SYLOMER

