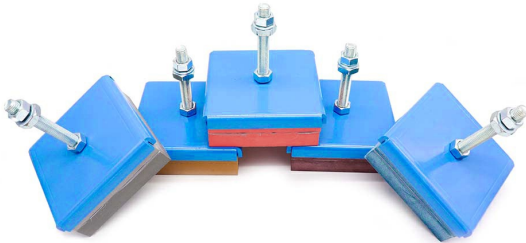


# TSR 150X150 ANTI VIBRATION MOUNTS



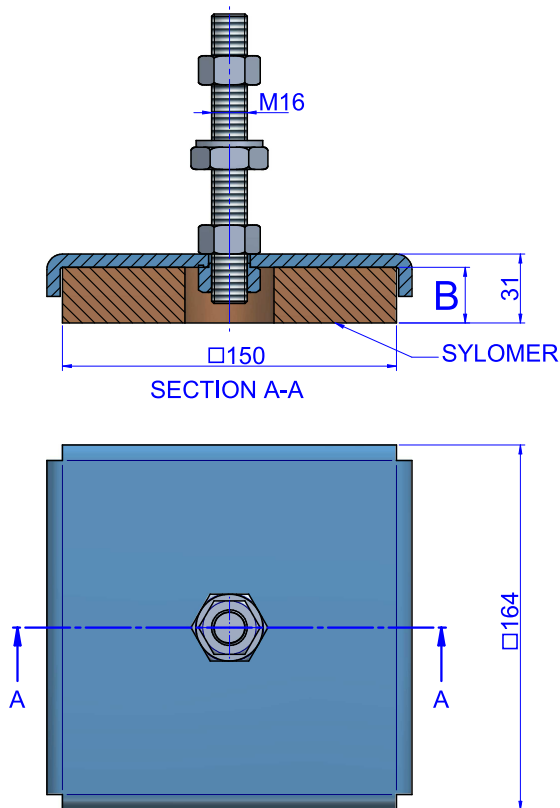
The AMC-MECANOCAUCHO® TSR type anti vibration mounts include a microcellular and resilient polyurethane compound for anti-vibration purposes called Sylomer®. This Sylomer® is oil resistant and with a temperature range of -30°C/+70°C.

The TSR mounts can be fixed mechanically thanks to the internal nut incorporated to the metallic part that is treated with an antioxidant coat. This coating complies to the RoHs regulations.

In order to match the application, 6 different densities are supplied for a wide range of loads.



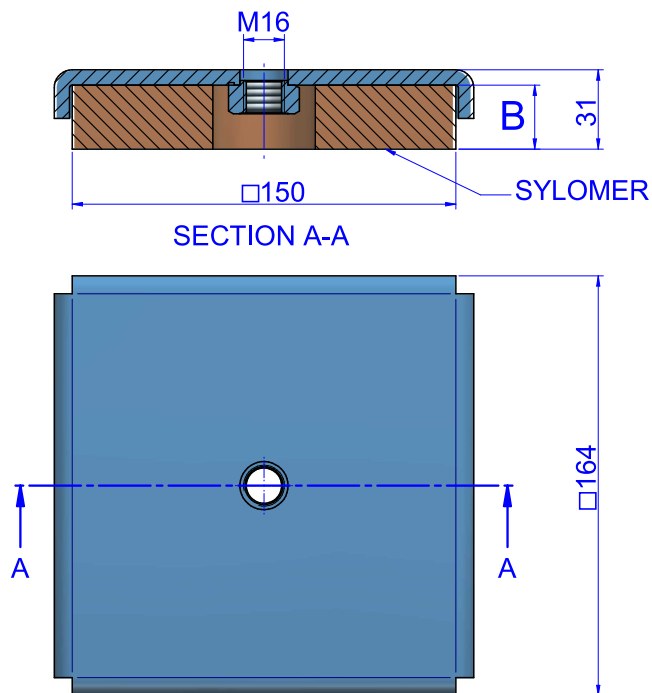
## DRAWINGS



## DIMENSIONS

Type	B (mm)	Weight (kg)	LOAD kg MIN	LOAD kg MAX	FREQ. Hz. MIN Load	FREQ. Hz. MAX Load	Code
TSR 150x150 SR_110 M16 + Kit Niv.	25	2,25	0	230	-	11,38	157120
	50	2,56	0	202	-	8,11	157176
TSR 150x150 SR_220 M16 + Kit Niv.	25	2,25	231	430	14,36	10,53	157121
	50	2,56	203	375	10,20	7,50	157177
TSR 150x150 SR_450 M16 + Kit Niv.	25	2,25	431	860	14,08	9,97	157122
	50	2,56	376	709	10,43	7,59	157178
TSR 150x150 SR_850 M16 + Kit Niv.	25	2,25	861	1420	14,51	11,30	157123
	50	2,56	710	1093	9,45	7,61	157179
TSR 150x150 SR_1200 M16 + Kit Niv.	25	2,25	1421	1900	12,27	10,61	157124
	50	2,56	1094	1418	8,55	7,51	157180

## DRAWINGS

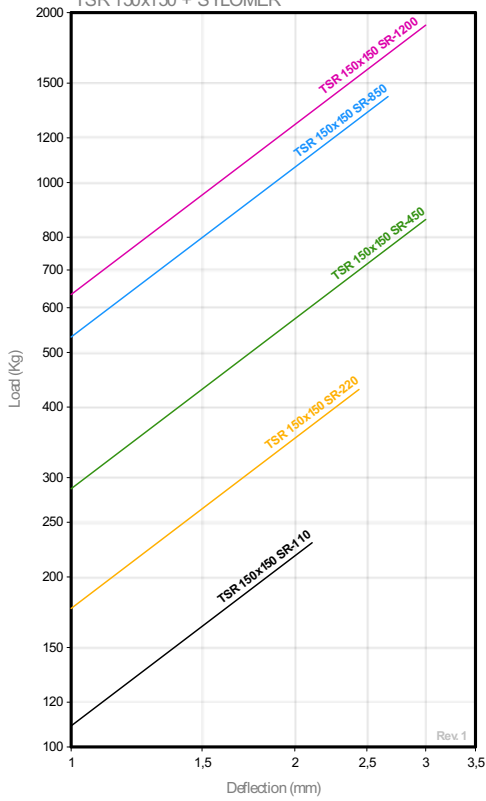


## DIMENSIONS

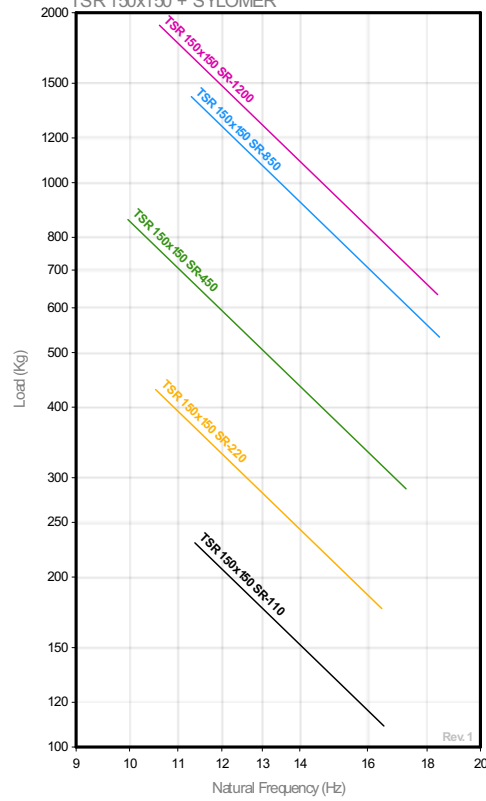
Type	B (mm)	Weight (kg)	LOAD kg MIN	LOAD kg MAX	FREQ. Hz. MIN Load	FREQ. Hz. MAX Load	Code
TSR 150x150 SR_110 M16	25	1,90	0	230	-	11,38	157125
	50	2,23	0	202	-	8,11	157145
TSR 150x150 SR_220 M16	25	1,90	231	430	14,36	10,53	157126
	50	2,23	203	375	10,20	7,50	157156
TSR 150x150 SR_450 M16	25	1,90	431	860	14,08	9,97	157127
	50	2,23	376	709	10,43	7,59	157154
TSR 150x150 SR_850 M16	25	1,90	861	1420	14,51	11,30	157128
	50	2,23	710	1093	9,45	7,61	157155
TSR 150x150 SR_1200 M16	25	1,90	1421	1900	12,27	10,61	157129
	50	2,23	1094	1418	8,55	7,51	157157

## Elastical properties

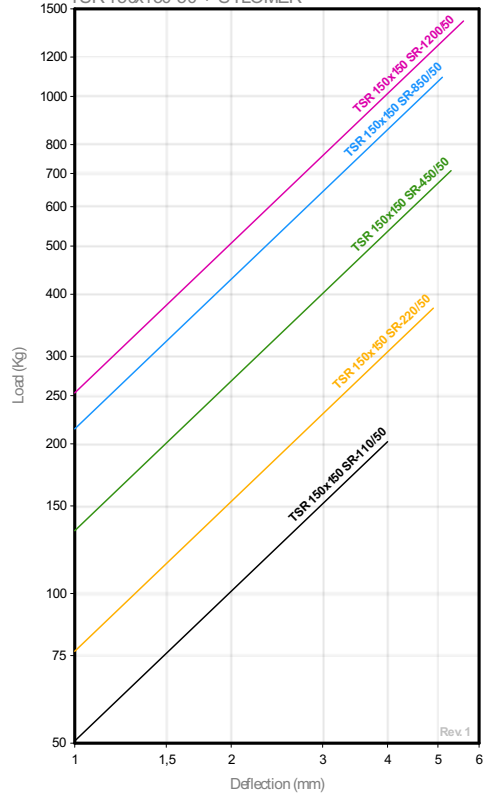
LOAD DEFLECTION GRAPH  
TSR 150x150 + SYLOMER



NATURAL FREQUENCY  
TSR 150x150 + SYLOMER



LOAD DEFLECTION GRAPH  
TSR 150x150-50 + SYLOMER



NATURAL FREQUENCY  
TSR 150x150-50 + SYLOMER

