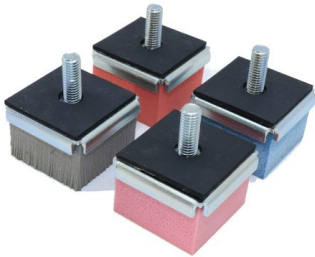


# TSR ANTIVIBRATION MOUNTS 40X40

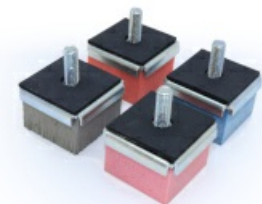


The AMC-MECANOCAUCHO® TSR type anti vibration mounts include a microcellular and resilient polyurethane compound for anti-vibration purposes called Sylomer®. This Sylomer® is oil resistant and with a temperature range of -30°C/+70°C.

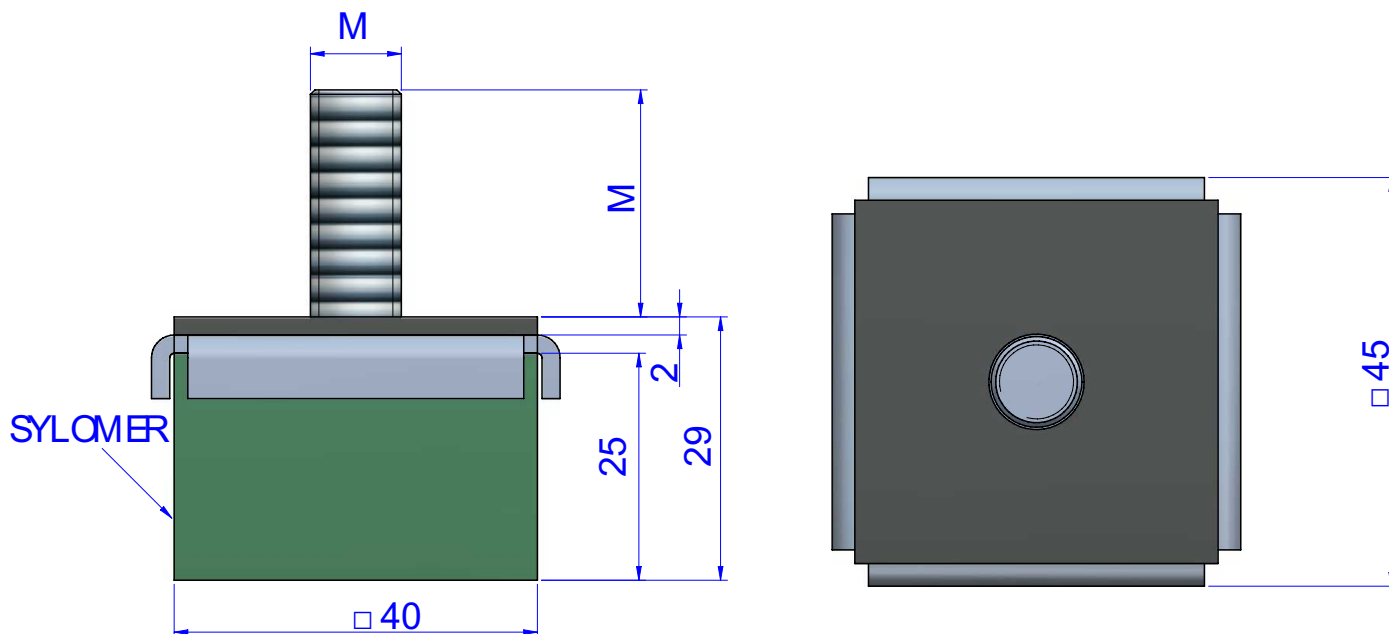
The TSR mounts can be fixed mechanically thanks to the internal nut incorporated to the metallic part that is treated with an antioxidant coat. This coating complies to the RoHs regulations.

The above Chloroprene based rubber that is bonded to the metal acts as an anti-skid surface for those application where a mechanical fixation is not possible to be made. This layer provides an additional anticorrosive protection.

In order to match the application, 6 different densities are supplied for a wide range of loads.



DRAWINGS



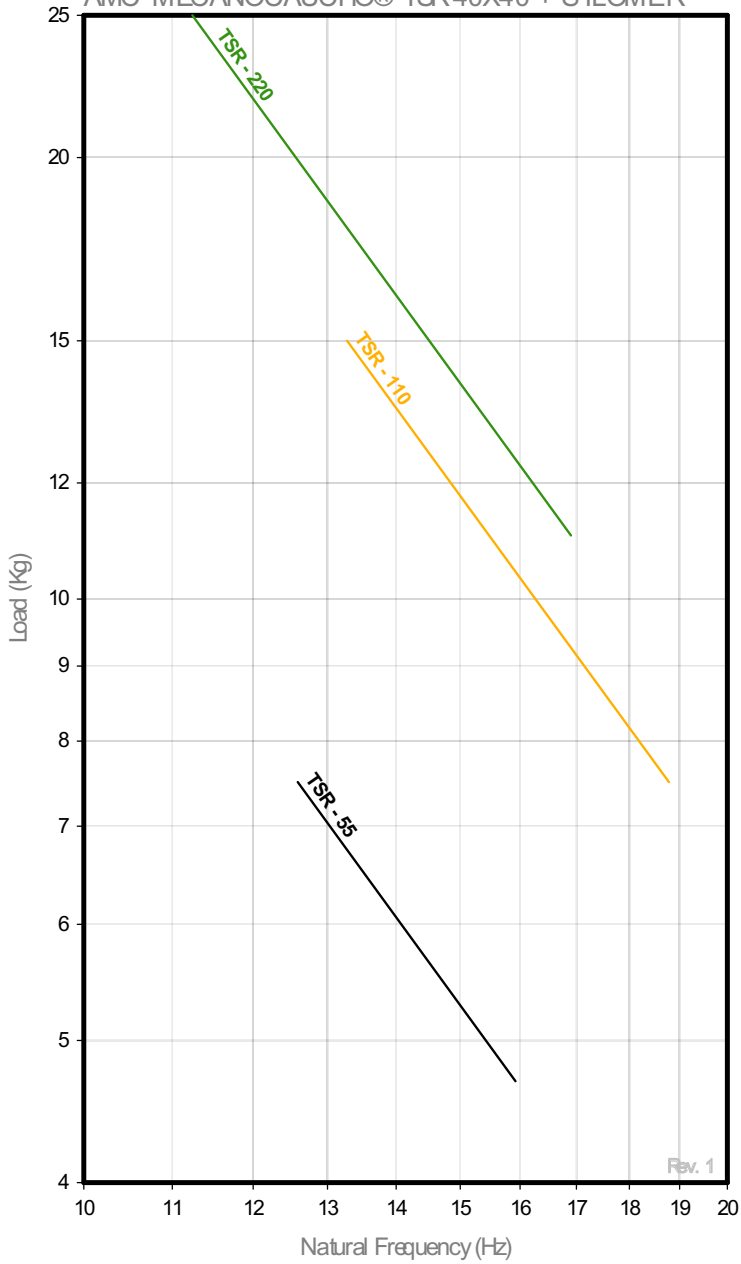
DIMENSIONS

Type	Load (kg)	DEFLECTION mm	Nat Freq. Hz	M	Code
TSR 55 40X40	7.5	1.6	13.6	M-8x20	157035
				M-10x25	157066
TSR 110 40X40	15	2	11.7	M-8x20	157036
				M-10x25	157067
TSR 220 40X40	25	2,1	11.5	M-8x20	157037
				M-10x25	157070

Elastical properties

NATURAL FREQUENCY

AMC MECANOCAUCHO® TSR40X40 + SYLOMER



LOAD DEFLECTION GRAPH

AMC MECANOCAUCHO® TSR40X40 + SYLOMER

