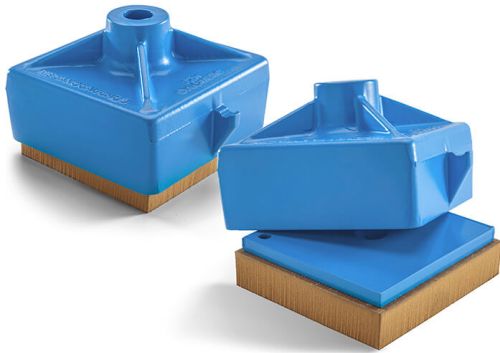


FZH + SYLOMER® FLOATING FLOOR MOUNTS



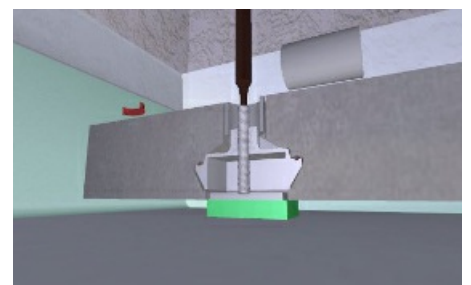
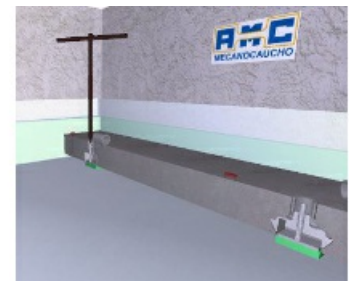
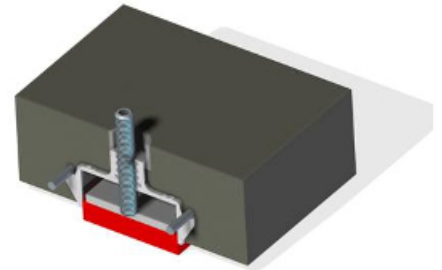
The goal of the system is to avoid the structure borne noise installing elastical mounts that are embedded in the concrete floating floor. The process of elevation is done once the concrete is dry. The AMC-MECANOCAUCHO type FZH mounts incorporate a polyurethane elastomer called Sylomer®. This material offers optimal elastic and mechanical properties for the application. The AMC-MECANOCAUCHO type FZH mounts can be manufactured in different densities of Sylomer® to match the natural frequency needed on the application. The process of leveling is simple and effective. The density of mount per m² is 1.12 and the distance between the mounts is 0,9m.

TECHNICAL CHARACTERISTICS

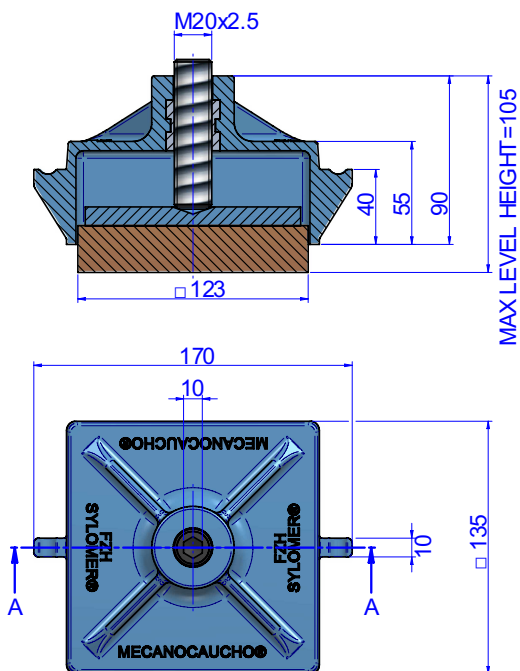
The AMC-MECANOCAUCHO type FZH mounts incorporate a polyurethane elastomer called Sylomer®. This material offers optimal elastic and mechanical properties for the application.

The AMC-MECANOCAUCHO type FZH mounts can be manufactured in different densities of Sylomer to match the natural frequency needed on the application.


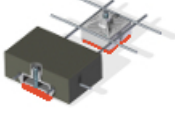
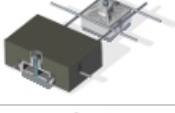

The process of leveling is simple and effective. The density of mount per m² is 1.12 and the distance between the mounts is 0,9m.



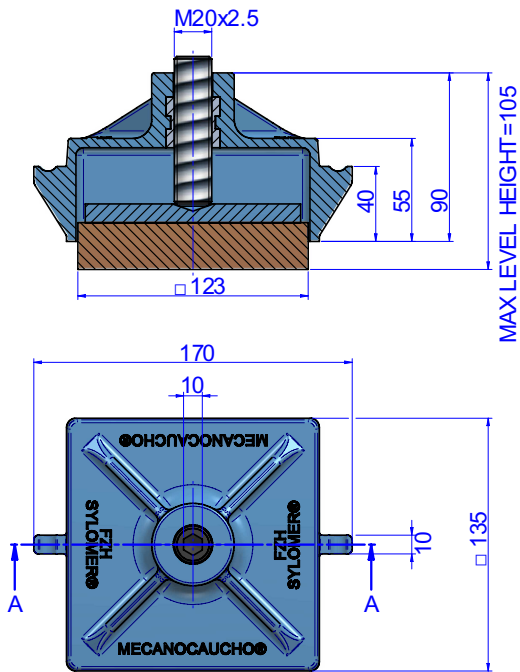
DRAWINGS



DIMENSIONS

	Type	SUMMARY	LOAD lbs MAX	FREQ. Hz. MAX Load	Weight (lbs)	Code
	FZH-33-25	Concrete embedded Jack up mounts, designed for the antivibration suspension of slabs.	309	11	2	176511
	FZH-39-25	Concrete embedded Jack up mounts, designed for the antivibration suspension of slabs.	529	11,1	3	176513
	FZH-45-25	Concrete embedded Jack up mounts, designed for the antivibration suspension of slabs.	1080	10,4	5	176515
	FZH-51-25	Concrete embedded Jack up mounts, designed for the antivibration suspension of slabs.	1763	11,8	3	176517

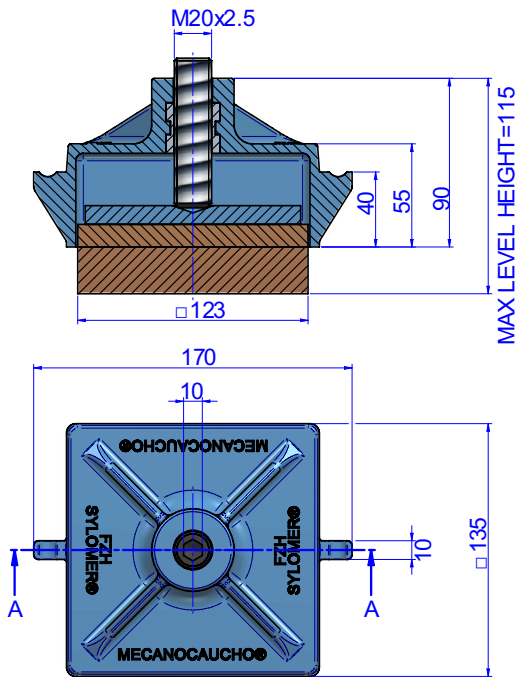
DRAWINGS



DIMENSIONS

	Type	SUMMARY	LOAD lbs MAX	FREQ. Hz. MAX Load	Weight (lbs)	Code
	FZH-57-25	Concrete embedded Jack up mounts, designed for the antivibration suspension of slabs.	2116	11,7	4	176519
	FZH-33-37	Concrete embedded Jack up mounts, designed for the antivibration suspension of slabs	309	8,6	4	176512
	FZH-39-37	Concrete embedded Jack up mounts, designed for the antivibration suspension of slabs.	529	8,5	4	176514
	FZH-45-37	Concrete embedded Jack up mounts, designed for the antivibration suspension of slabs.	1080	8,1	4	176516

DRAWINGS

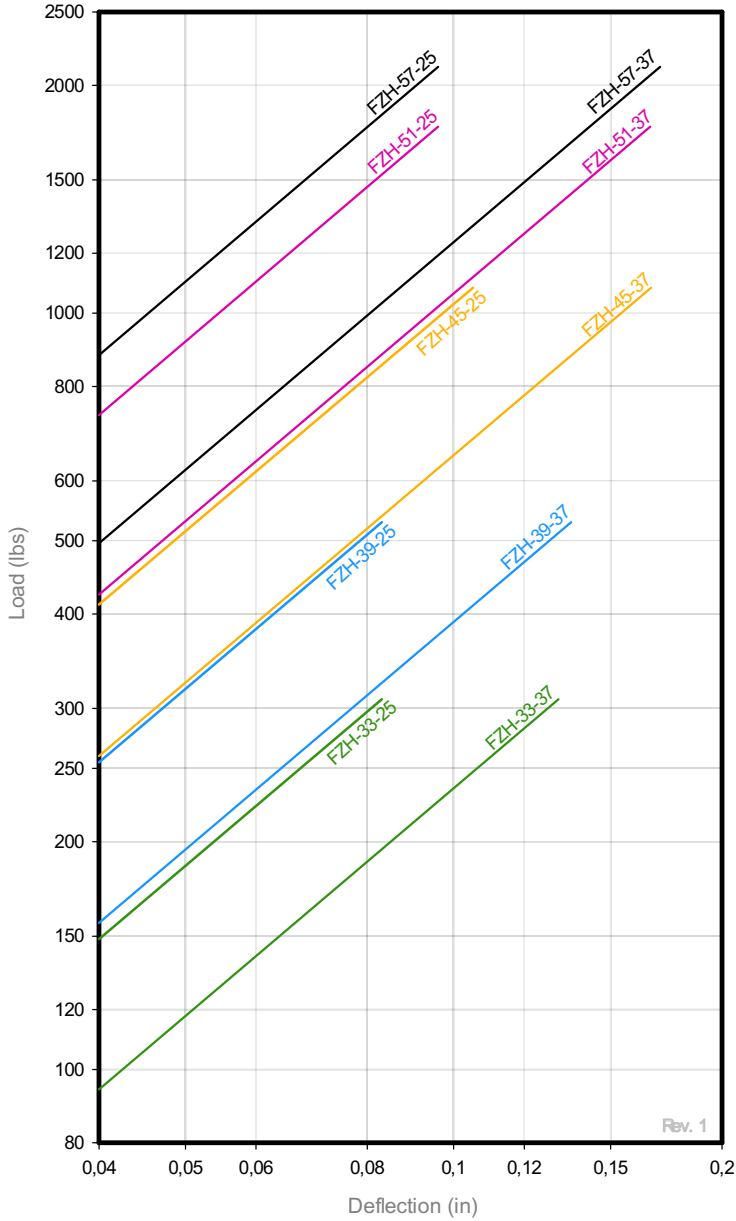


DIMENSIONS

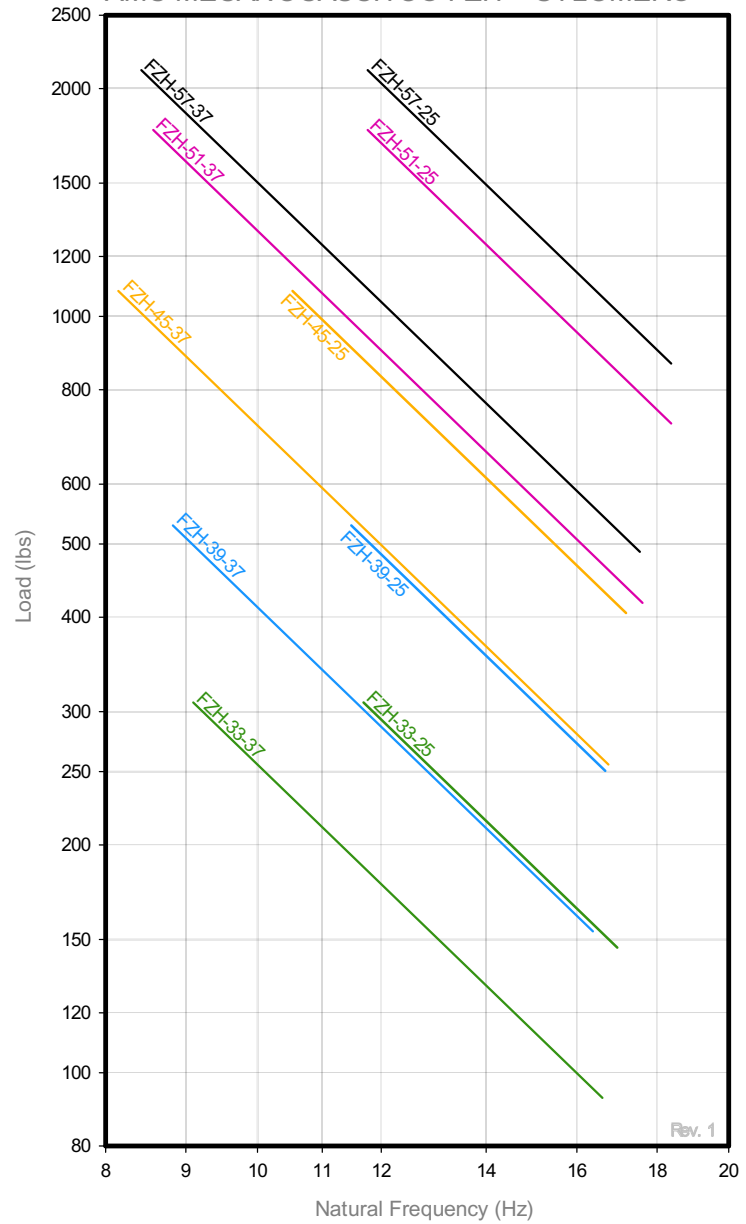
	Type	SUMMARY	LOAD lbs MAX	FREQ. Hz. MAX Load	Weight (lbs)	Code
	FZH-51-37	Concrete embedded Jack up mounts, designed for the antivibration suspension of slabs.	1763	9,1	5	176518
	FZH-57-37	Concrete embedded Jack up mounts, designed for the antivibration suspension of slabs.	2116	8,4	5	176520

Elastical properties

LOAD DEFLECTION GRAPH
AMC MECANOCAUCHO® FZH + SYLOMER®



NATURAL FREQUENCY
AMC MECANOCAUCHO® FZH + SYLOMER®



ADVANTAGES



- **LOW-LEVEL**, optimum efficiency damped screeds without much height is achieved. Given that the available height is severely limited in many cases, the entire available height becomes concrete slab system and adding mass to lower the natural frequency getting
- High insulation, anti-vibration characteristics thanks to the Sylomer and used in tacos, very low natural frequencies that provide optimum insulation are achieved.
- Quick installation without placing board or joints between boards.
- Economy, save assembly time, we need boards or tacos.
- Safety, avoid the appearance of acoustic bridges, as when lifting the slab we are 100% sure that there has been no error in making the slab.
- Easy and simple assembly, it does not take a specialist to perform this ground.